

REGENCY
Tables and Sinks

Regency 3 Bowl Underbar Sink - 38 1/2" x 18 3/4"

#600B31014



Technical Data

Length	38 1/2 Inches
Width	18 3/4 Inches
Height	33 Inches
Bowl Depth	10 Inches
Backsplash Height	3 Inches
Backsplash	With Backsplash
Bowl Front to Back	14 Inches
Bowl Left to Right	10 Inches
Features	Massachusetts Accepted Plumbing Product NSF Listed

Features

- Durable stainless steel construction
- Three 2" drains (1 1/2" IPS) with drain baskets included
- Galvanized legs with bullet feet
- Deep bowls accommodate tall glasses and pitchers
- Backsplash limits messes

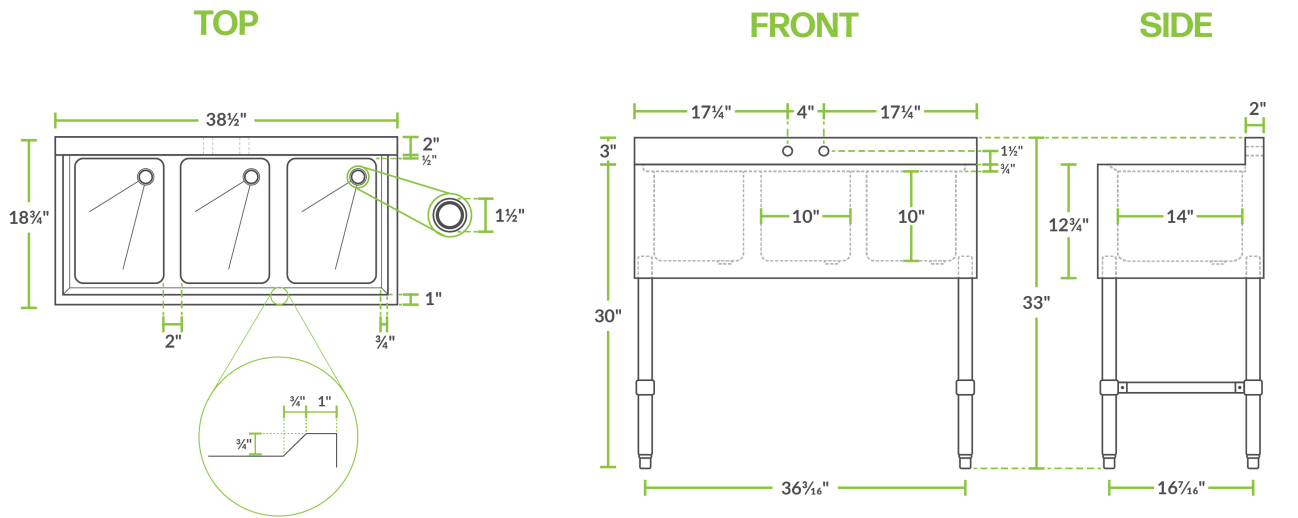
Certifications



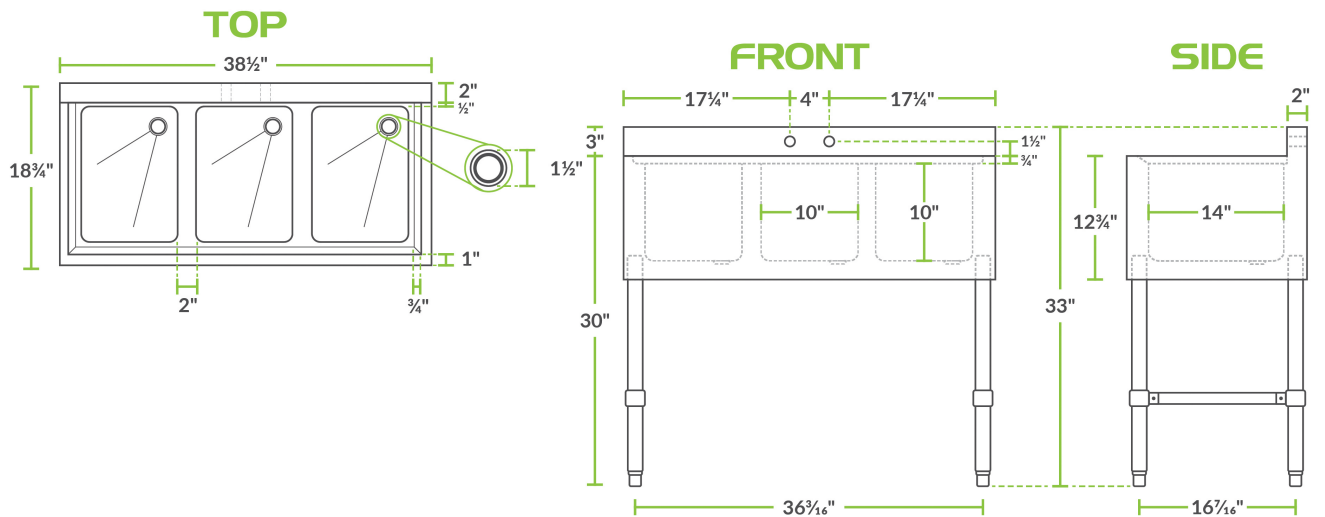
Technical Data

Gauge	18 Gauge
Leg Construction	Galvanized Steel
Material	Stainless Steel
Number of Compartments	3 Compartments
Number of Drainboards	None
Stainless Steel Type	Type 304
Type	Bar Sinks

Plan View




600B31014



Notes & Details

This 3-bowl bar sink comes standard with three bowls, making it great for a standard wash, rinse, and sanitize operation. As an added convenience, it features a 3" high backsplash to keep your bar better protected from accidental spills. This 3-bowl underbar sink has two holes punched on 4" centers.

This sink offers a durable 18-gauge type 304 stainless steel construction along its top, bowls, and back, in addition to a 20-gauge type 304 stainless steel apron. For maximum stability, it has 16-gauge galvanized steel legs with plastic bullet feet.

 **WARNING:** This product can expose you to chemicals including Lead and Nickel, which are known to the State of California to cause cancer, birth defects, or other reproductive harm. For more information, go to www.p65warnings.ca.gov.