



Regency 3 Bowl Underbar Sink with Two Drainboards - 60" x 18 3/4"

#600B31014213



Technical Data

| | |
|--------------------|-----------------|
| Length | 60 Inches |
| Width | 18 3/4 Inches |
| Height | 33 Inches |
| Drainboard Length | 13 Inches |
| Bowl Depth | 10 Inches |
| Backsplash Height | 3 Inches |
| Backsplash | With Backsplash |
| Bowl Front to Back | 14 Inches |
| Bowl Left to Right | 10 Inches |
| Gauge | 18 Gauge |

Features

- Durable stainless steel construction
- Three 2" drains (1 1/2" IPS) with drain baskets included
- Galvanized legs with bullet feet
- Deep bowls accommodate tall glasses and pitchers
- Two drainboards aid in fast drying

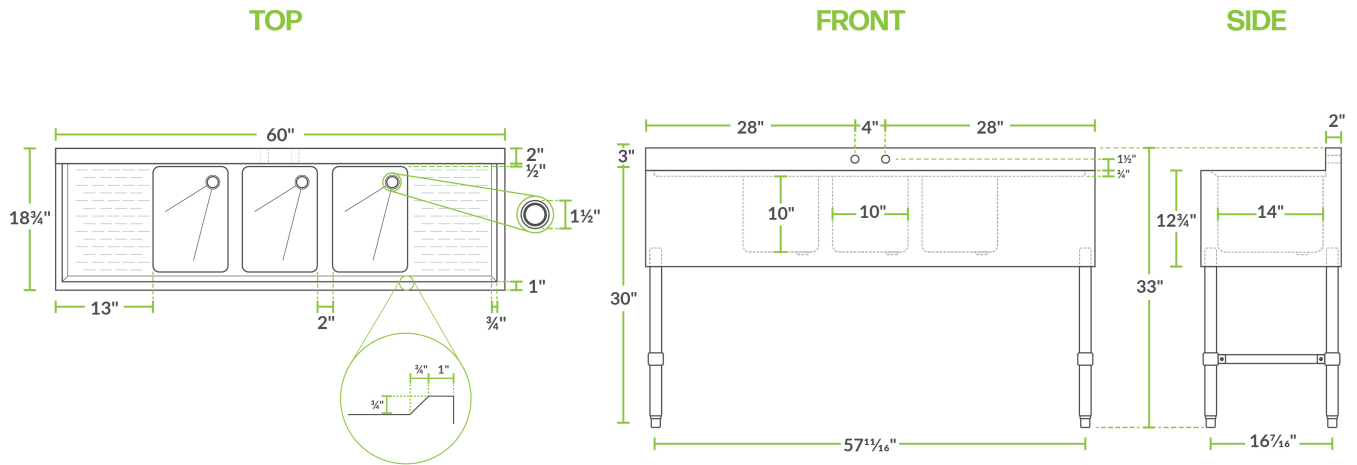
Certifications



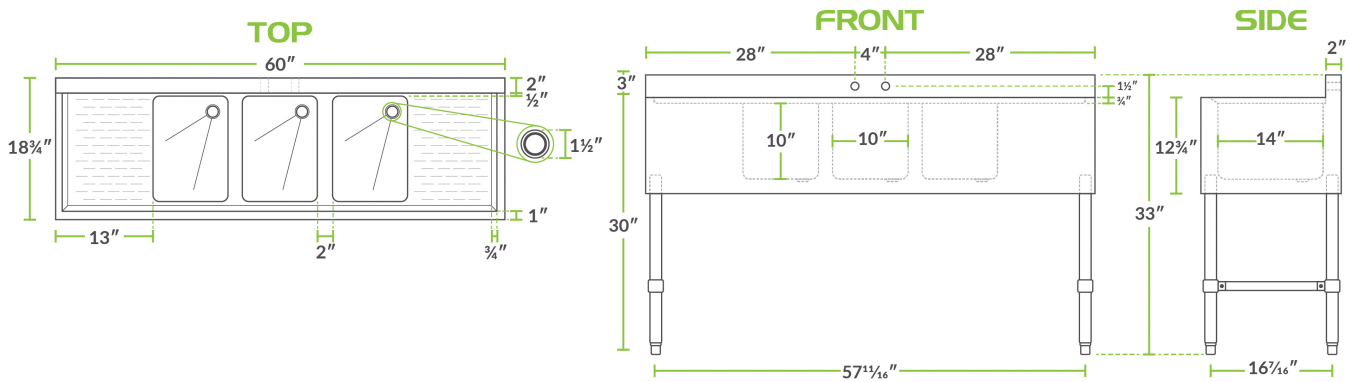
Technical Data

| | |
|------------------------|---|
| Features | Massachusetts Accepted Plumbing Product NSF Listed |
| Leg Construction | Galvanized Steel |
| Material | Stainless Steel |
| Number of Compartments | 3 Compartments |
| Number of Drainboards | 2 Drainboards |
| Stainless Steel Type | Type 304 |
| Type | Bar Sinks |

Plan View




600B31014213



Notes & Details

This 3-bowl bar sink comes standard with two 13" drainboards for efficient washing and drying of your barware. The deep, 10" sink bowls accommodate all types of glasses, including pitchers! As an added convenience, it features a 3" high backsplash to keep your bar better protected from accidental spills. This 3-bowl underbar sink has two holes punched on 4" centers.

This sink offers a durable 18 gauge type 304 stainless steel construction along its top, bowls, and back. For maximum stability, it has 16-gauge galvanized steel legs with plastic bullet feet.

 **WARNING:** This product can expose you to chemicals including Lead and Nickel, which are known to the State of California to cause cancer, birth defects, or other reproductive harm. For more information, go to www.p65warnings.ca.gov.