



Regency 3 Bowl Underbar Sink with Drainboard - 48" x 18 3/4" - Left Drainboard

#600B3101413L



Technical Data

Length	48 Inches
Width	18 3/4 Inches
Height	33 Inches
Drainboard Length	11 3/4 Inches
Bowl Depth	10 Inches
Backsplash Height	3 Inches
Backsplash	With Backsplash
Bowl Front to Back	14 Inches
Bowl Left to Right	10 Inches
Gauge	18 Gauge

Features

- Durable stainless steel construction
- Three 2" drains (1 1/2" IPS) with drain baskets included
- Galvanized legs with bullet feet
- Deep bowls accommodate tall glasses and pitchers
- Drainboard aids in fast drying

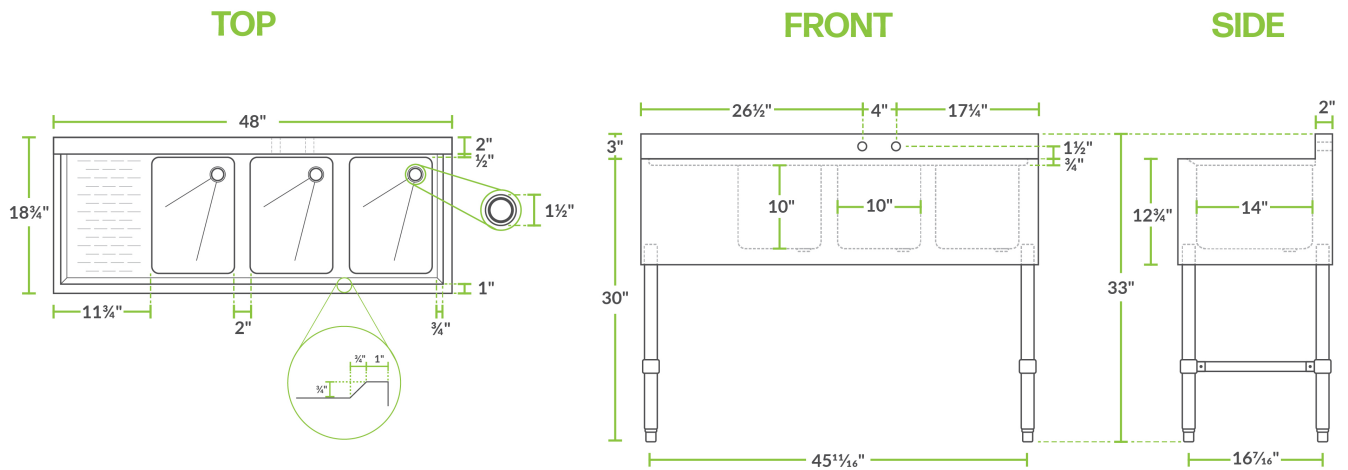
Certifications



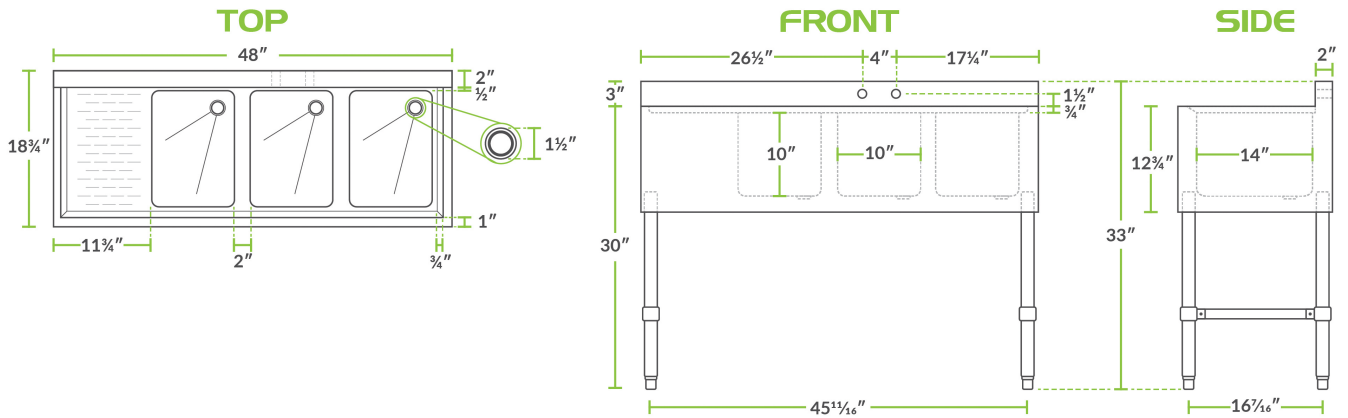
Technical Data

Features	Massachusetts Accepted Plumbing Product NSF Listed
Leg Construction	Galvanized Steel
Material	Stainless Steel
Number of Compartments	3 Compartments
Number of Drainboards	1 Drainboard
Stainless Steel Type	Type 304
Type	Bar Sinks

Plan View




600B3101413L



Notes & Details

This 3-bowl bar sink is designed for a standard wash, rinse, and sanitize operation. It comes with your choice of a left- or right-side 11 3/4" drainboard for efficient washing and drying of your barware. The deep, 10" sink bowls accommodate all types of glasses, including pitchers! As an added convenience, it features a 3" high backsplash to keep your bar better protected from accidental spills. This 3-bowl underbar sink has two holes punched on 4" centers.

This sink offers a durable 18-gauge type 304 stainless steel construction along its top, bowls, and back. For maximum stability, it has 16-gauge galvanized steel legs with plastic bullet feet.

 **WARNING:** This product can expose you to chemicals including lead, which are known to the State of California to cause cancer, birth defects, or other reproductive harm. For more information, go to www.p65warnings.ca.gov.