



Regency 2 Bowl Underbar Sink with Right Drainboard - 36" x 21"

#600B22136R9



Technical Data

| | |
|---------------------|-----------------|
| Length | 36 Inches |
| Width | 21 Inches |
| Height | 33 Inches |
| Drainboard Length | 11 3/4 Inches |
| Bowl Depth | 10 Inches |
| Backsplash Height | 3 Inches |
| Work Surface Height | 30 Inches |
| Backsplash | With Backsplash |
| Bowl Front to Back | 14 Inches |
| Bowl Left to Right | 10 Inches |

Features

- Durable stainless steel construction
- 2" drain (1 1/2 IPS) with drain basket included
- Deep bowls accommodate tall glasses and pitchers
- Backsplash limits messes and the drainboard aids in fast drying
- Holes punched on 4" centers

Certifications

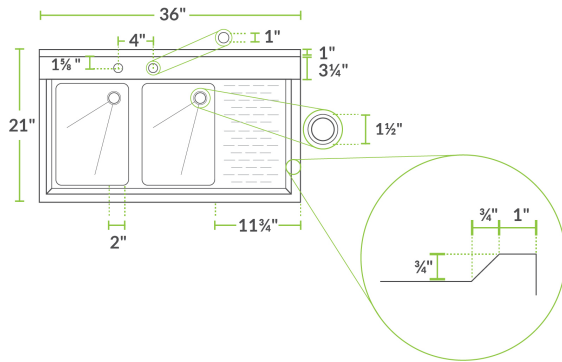


Technical Data

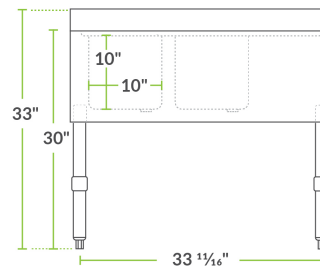
| | |
|------------------------|---|
| Features | Massachusetts Accepted Plumbing Product NSF Listed |
| Gauge | 18 Gauge |
| Leg Construction | Galvanized Steel |
| Material | Stainless Steel |
| Number of Compartments | 2 Compartments |
| Number of Drainboards | 1 Drainboard |
| Stainless Steel Type | Type 304 |
| Type | Bar Sinks |

Plan View

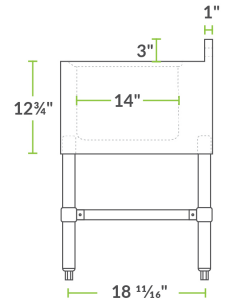
TOP



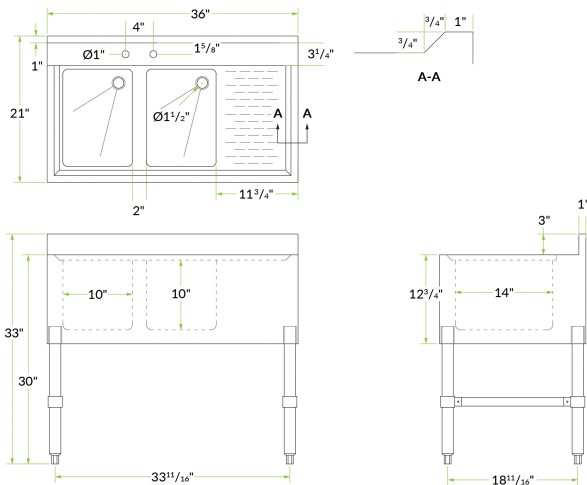
FRONT



SIDE



600B22136R9



Notes & Details

This 2-bowl underbar sink comes standard with one 11 3/4" right drainboard for efficient washing and drying of your barware. The two deep, 10" sink bowls accommodate all types of glasses, including pitchers and tall glasses. As an added convenience, it features a 3" high backsplash to keep your bar better protected. This 2-bowl underbar sink has holes punched on 4" centers.

This sink offers a durable 18-gauge type 304 stainless steel construction along its top, bowl, and back, in addition to a 20-gauge type 304 stainless steel apron. For maximum stability, it has 16-gauge galvanized steel legs with plastic bullet feet.

 **WARNING:** This product can expose you to chemicals including lead, which are known to the State of California to cause cancer, birth defects, or other reproductive harm. For more information, go to www.p65warnings.ca.gov.