

REGENCY™
Tables and Sinks

Regency 2 Bowl Underbar Sink with Left Drainboard - 36" x 21"

#600B22136L9



Technical Data

Length	36 Inches
Width	21 Inches
Height	33 Inches
Drainboard Length	11 3/4 Inches
Bowl Depth	10 Inches
Backsplash Height	3 Inches
Work Surface Height	30 Inches
Backsplash	With Backsplash
Bowl Front to Back	14 Inches
Bowl Left to Right	10 Inches

Features

- Durable stainless steel construction
- 2" drain (1 1/2 IPS) with drain basket included
- Deep bowls accommodate tall glasses and pitchers
- Backsplash limits messes and the drainboard aids in fast drying
- Holes punched on 4" centers

Certifications

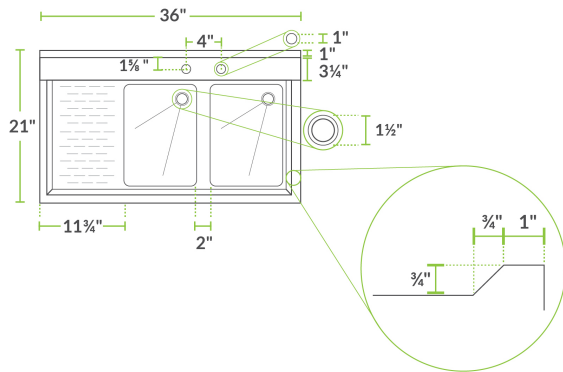


Technical Data

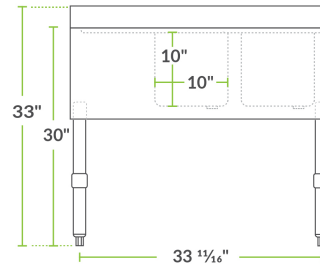
Features	Massachusetts Accepted Plumbing Product NSF Listed
Gauge	18 Gauge
Leg Construction	Galvanized Steel
Material	Stainless Steel
Number of Compartments	2 Compartments
Number of Drainboards	1 Drainboard
Stainless Steel Type	Type 304
Type	Bar Sinks

Plan View

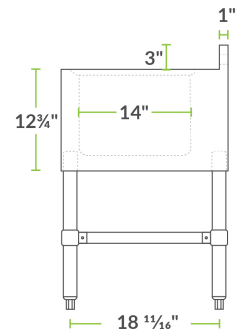
TOP



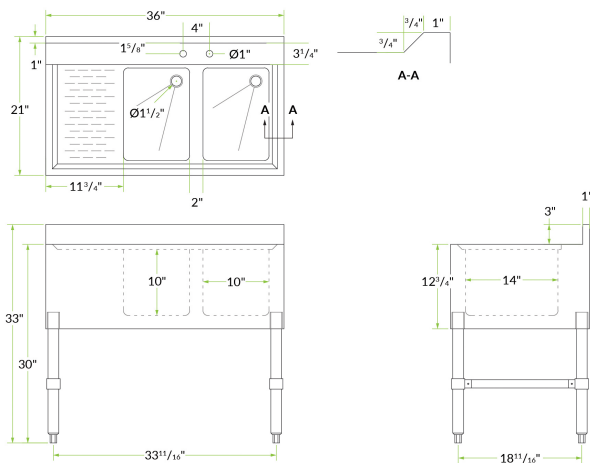
FRONT



SIDE




600B22136L9



Notes & Details

This 2-bowl underbar sink comes standard with one 11 3/4" left drainboard for efficient washing and drying of your barware. The two deep, 10" sink bowls accommodate all types of glasses, including pitchers and tall glasses. As an added convenience, it features a 3" high backsplash to keep your bar better protected. This 2-bowl underbar sink has holes punched on 4" centers.

This sink offers a durable 18-gauge type 304 stainless steel construction along its top, bowl, and back, in addition to a 20-gauge type 304 stainless steel apron. For maximum stability, it has 16-gauge galvanized steel legs with plastic bullet feet.

 **WARNING:** This product can expose you to chemicals including lead, which are known to the State of California to cause cancer, birth defects, or other reproductive harm. For more information, go to www.p65warnings.ca.gov.