

REGENCY
Tables and Sinks

Regency 2 Bowl Underbar Sink - 26 1/2" x 18 3/4"

#600B21014



Technical Data

Length	26 1/2 Inches
Width	18 3/4 Inches
Height	33 Inches
Spout Length	8 Inches
Bowl Depth	10 Inches
Backsplash Height	3 Inches
Work Surface Height	30 Inches
Backsplash	With Backsplash
Bowl Front to Back	14 Inches
Bowl Left to Right	10 Inches

Features

- Two 2" drains (1 1/2" IPS), and drain baskets
- Durable stainless steel construction
- Deep bowls accommodate tall glasses and pitchers
- Backsplash limits messes
- Galvanized legs with bullet feet

Certifications



NSF Listed

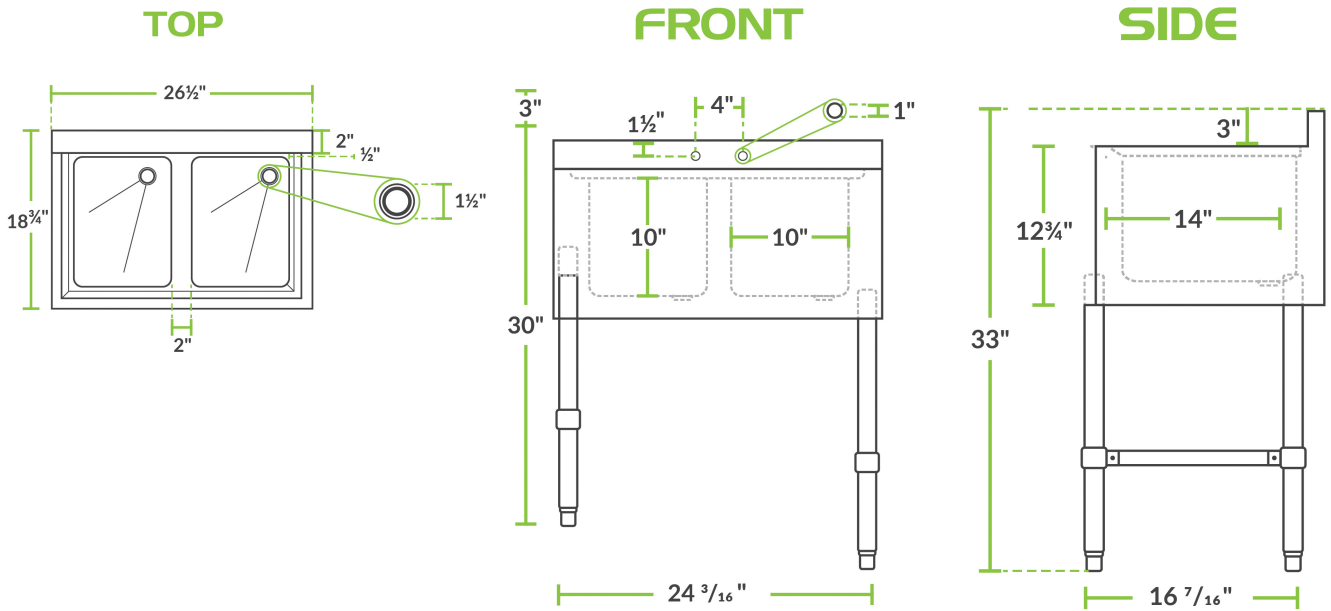
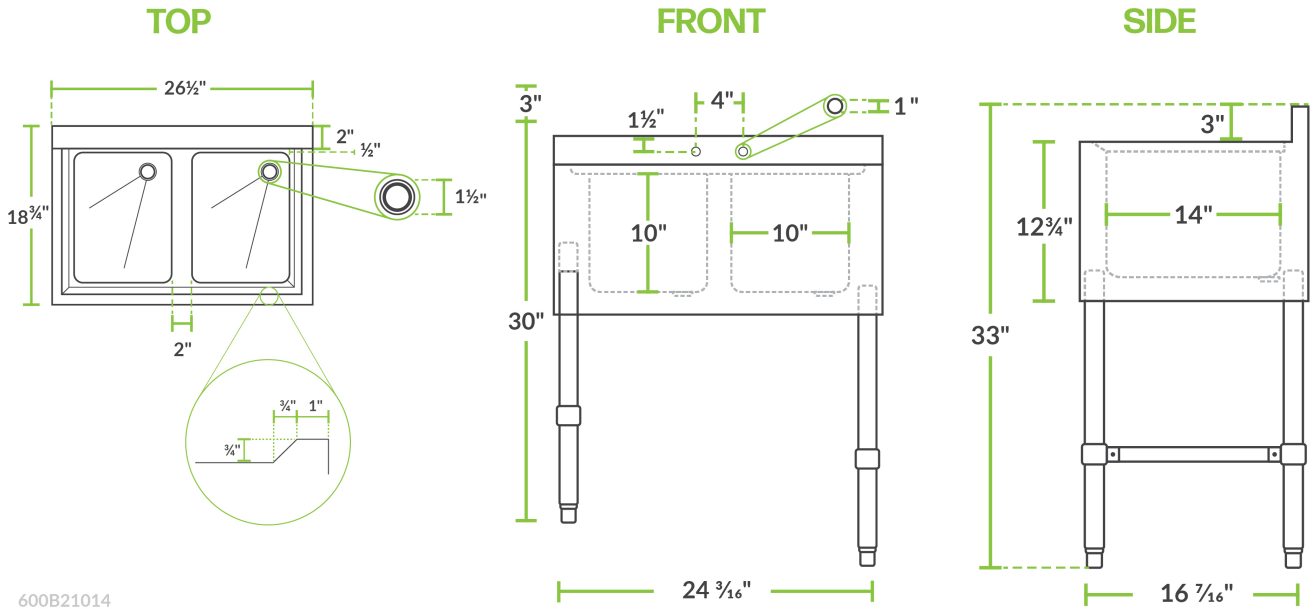


1/2" Water Connection

Technical Data

Faucet Centers	4 Inches
Features	Massachusetts Accepted Plumbing Product NSF Listed
Flow Rate	2 GPM
Gauge	18 Gauge
Leg Construction	Galvanized Steel
Material	Stainless Steel
Number of Compartments	2 Compartments
Number of Drainboards	None
Spout Clearance	2 5/16 Inches
Spout Type	Swing
Stainless Steel Type	Type 304
Type	Bar Sinks
Water Inlet Size	1/2 Inches


Plan View



Notes & Details

This 2-bowl under bar sink is ready for efficient washing and drying of your barware. The two deep, 10" sink bowls accommodate all types of glasses, including pitchers! As an added convenience, it features a 3" high backsplash to keep your bar better protected. This 2-bowl underbar sink has two holes punched on 4" centers to accept an 8" swivel faucet (faucet sold separately).

This sink offers a durable 18-gauge type 304 stainless steel construction along its top, bowl, and back, in addition to a 20-gauge type 304 stainless steel apron. For maximum stability, it has 16-gauge galvanized steel legs with plastic bullet feet.

 **WARNING:** This product can expose you to chemicals including Lead and Nickel, which are known to the State of California to cause cancer, birth defects, or other reproductive harm. For more information, go to www.p65warnings.ca.gov.