

REGENCY
Tables and Sinks

Regency 2 Bowl Underbar Sink with Two Drainboards - 48" x 18 3/4"

#600B21014213



Technical Data

| | |
|--------------------|-----------------|
| Length | 48 Inches |
| Width | 18 3/4 Inches |
| Height | 33 Inches |
| Drainboard Length | 13 Inches |
| Bowl Depth | 10 Inches |
| Backsplash Height | 3 Inches |
| Backsplash | With Backsplash |
| Bowl Front to Back | 14 Inches |
| Bowl Left to Right | 10 Inches |
| Gauge | 18 Gauge |

Features

- Includes two 2" drains (1 1/2" IPS) and drain baskets
- Durable stainless steel construction
- Deep bowls accommodate tall glasses and pitchers
- Backsplash limits messes and two drainboards aid in fast drying
- Galvanized legs with bullet feet

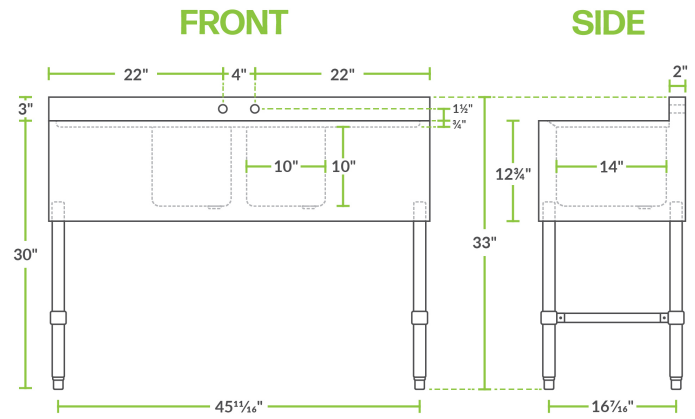
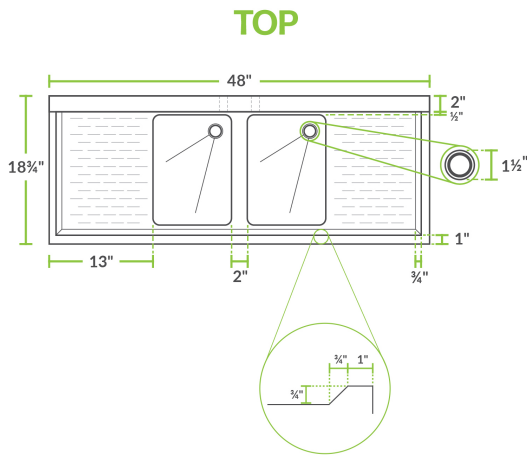
Certifications



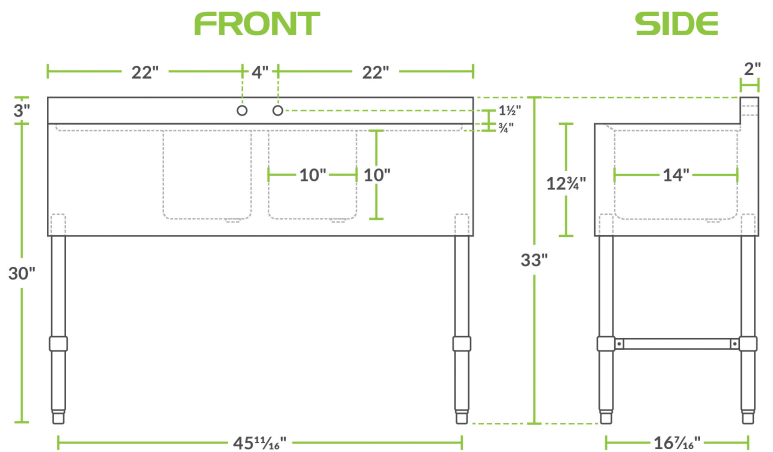
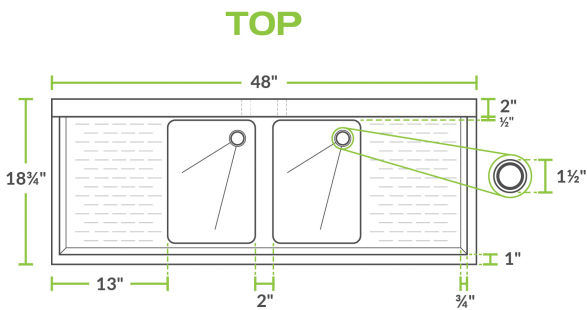
Technical Data

| | |
|------------------------|---|
| Features | Massachusetts Accepted Plumbing Product NSF Listed |
| Leg Construction | Galvanized Steel |
| Material | Stainless Steel |
| Number of Compartments | 2 Compartments |
| Number of Drainboards | 2 Drainboards |
| Stainless Steel Type | Type 304 |
| Type | Bar Sinks |

Plan View




600B21014213



Notes & Details

This 2-bowl under bar sink with drains comes standard with both left- and right-side 13" drainboards for efficient washing and drying of your barware. The two deep, 10" sink bowls accommodate all types of glasses, including pitchers! As an added convenience, it features a 3" high backsplash to keep your bar better protected. This 2-bowl underbar sink has two holes punched on 4" centers.

This sink offers a durable 18-gauge type 304 stainless steel construction along its top, bowl, and back, in addition to a 20-gauge type 304 stainless steel apron. For maximum stability, it has 16-gauge galvanized steel legs with plastic bullet feet.

 **WARNING:** This product can expose you to chemicals including Lead and Nickel, which are known to the State of California to cause cancer, birth defects, or other reproductive harm. For more information, go to www.p65warnings.ca.gov.