



Regency 1 Bowl Underbar Sink with Two Drainboards - 36" x 21"

#600B12136213



Technical Data

Length	36 Inches
Width	21 Inches
Height	33 Inches
Drainboard Length	13 Inches
Bowl Depth	10 Inches
Backsplash Height	3 Inches
Work Surface Height	30 Inches
Backsplash	With Backsplash
Bowl Front to Back	14 Inches
Bowl Left to Right	10 Inches

Features

- Durable stainless steel construction
- 2" drain (1 1/2 IPS) with drain basket included
- Deep bowls accommodate tall glasses and pitchers
- Backsplash limits messes and the drainboards aid in fast drying
- Holes punched on 4" centers

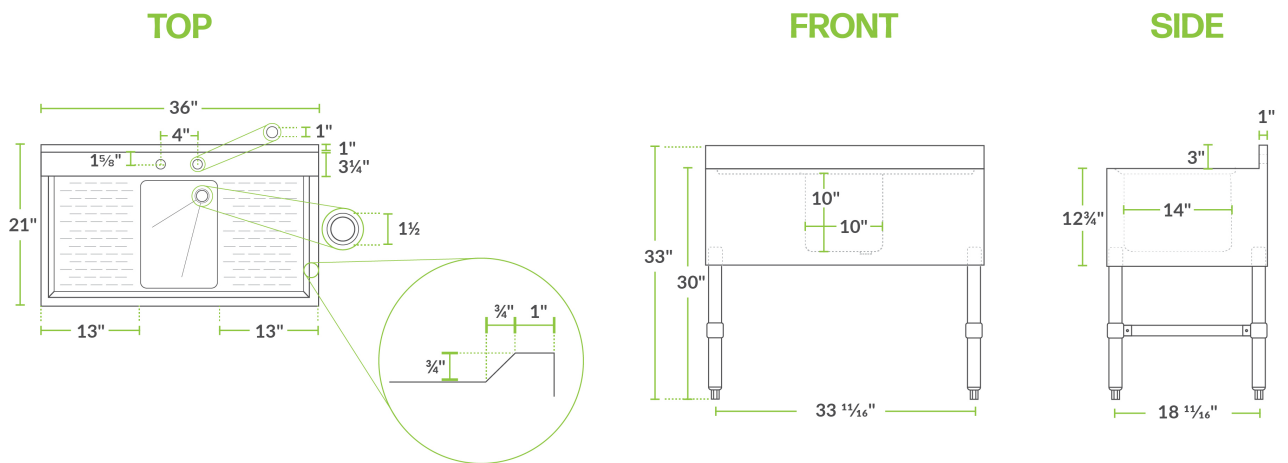
Certifications



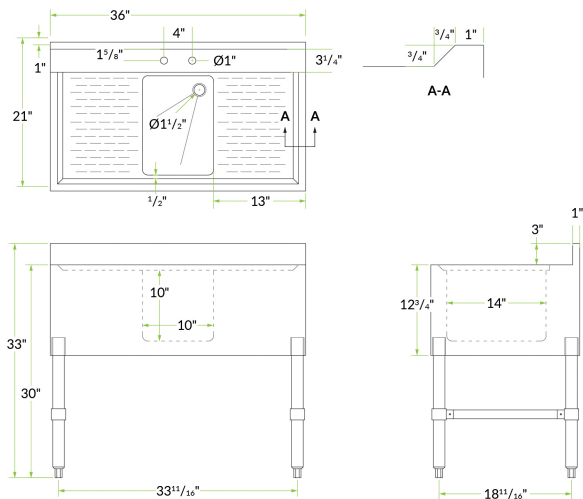
Technical Data

Features	Massachusetts Accepted Plumbing Product NSF Listed
Gauge	18 Gauge
Leg Construction	Galvanized Steel
Material	Stainless Steel
Number of Compartments	1 Compartment
Number of Drainboards	2 Drainboards
Stainless Steel Type	Type 304
Type	Bar Sinks

Plan View




600B12136213



Notes & Details

This 1-bowl underbar sink comes standard with two 13" drainboards for efficient washing and drying of your barware. The deep, 10" sink bowl accommodates all types of glasses, including pitchers and tall glasses. As an added convenience, it features a 3" high backsplash to keep your bar better protected. This 1-bowl underbar sink has holes punched on 4" centers.

This sink offers a durable 18-gauge type 304 stainless steel construction along its top, bowl, and back, in addition to a 20-gauge type 304 stainless steel apron. For maximum stability, it has 16-gauge galvanized steel legs with plastic bullet feet.

 **WARNING:** This product can expose you to chemicals including lead, which are known to the State of California to cause cancer, birth defects, or other reproductive harm. For more information, go to www.p65warnings.ca.gov.