



## Regency 1 Bowl Underbar Sink with Drainboard - 24" x 18 3/4" - Left Drainboard

#600B1101412L



### Technical Data

Length	24 Inches
Width	18 3/4 Inches
Height	33 Inches
Drainboard Length	12 Inches
Bowl Depth	10 Inches
Backsplash Height	3 Inches
Backsplash	With Backsplash
Bowl Front to Back	14 Inches
Bowl Left to Right	10 Inches
Gauge	18 Gauge

### Features

- Durable stainless steel construction
- 2" drain (1 1/2" IPS) with drain basket included
- With galvanized legs and bullet feet
- Deep bowl accommodates tall glasses and pitchers
- Backsplash limits messes and drainboard aids drying

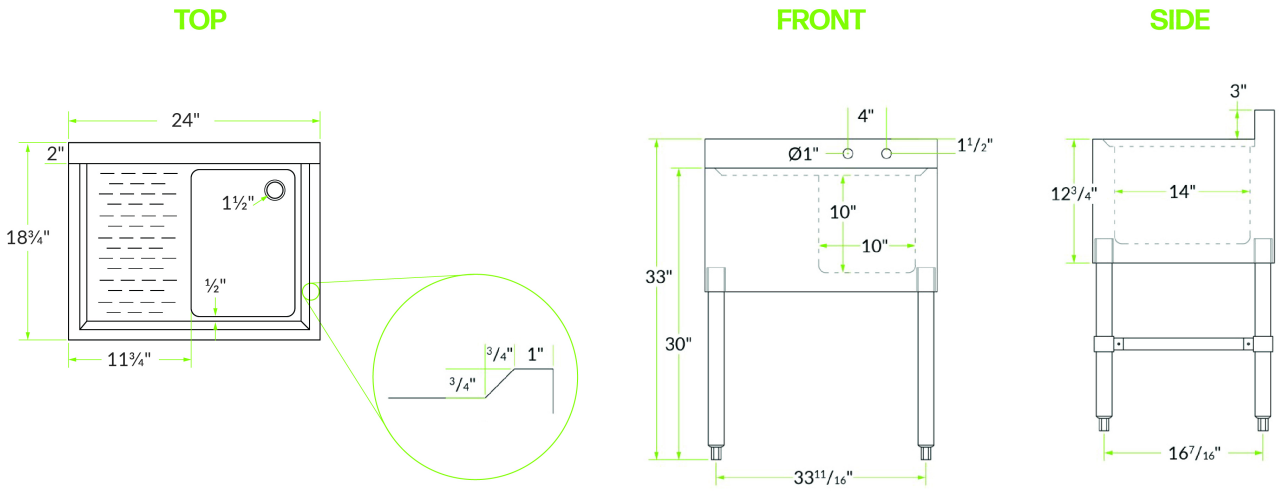
### Certifications



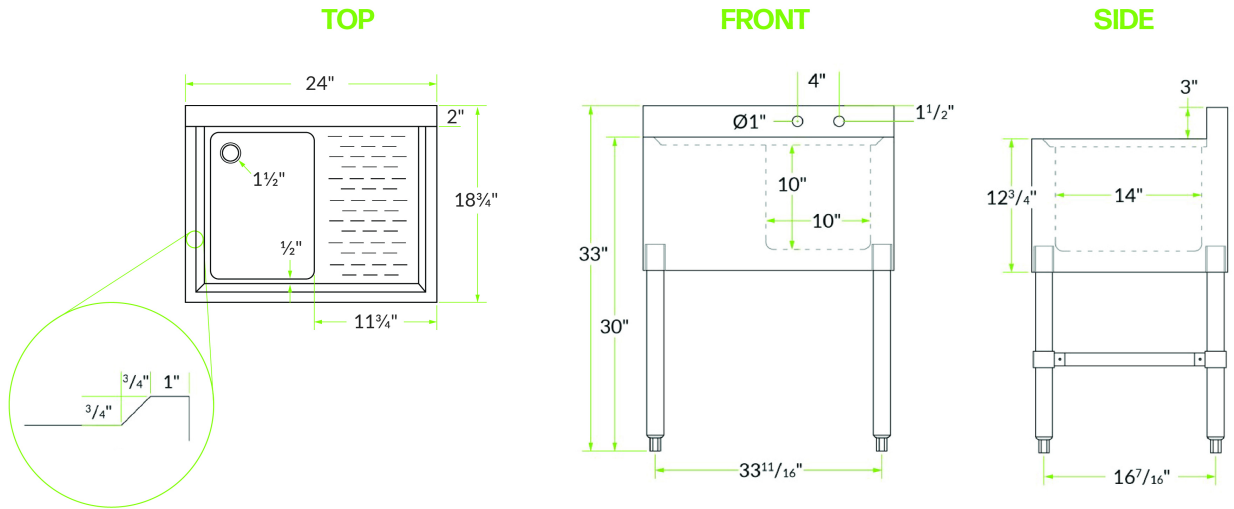
## Technical Data

Features	Massachusetts Accepted Plumbing Product NSF Listed
Leg Construction	Galvanized Steel
Material	Stainless Steel
Number of Compartments	1 Compartment
Number of Drainboards	1 Drainboard
Stainless Steel Type	Type 304
Type	Bar Sinks

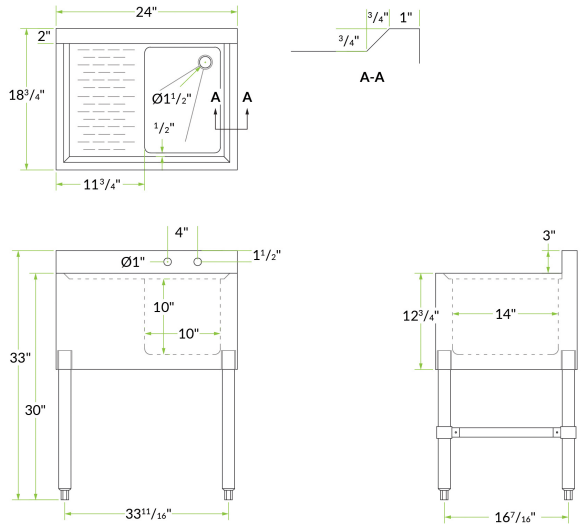
Plan View



600B1101412L



600B1101412R



### Notes & Details

This 1-bowl underbar sink comes with your choice of a left- or right-side 12" drainboard for efficient washing and drying of your barware. The deep, 10" sink bowl accommodates all types of glasses, including pitchers! As an added convenience, it features a 3" high backsplash to keep your bar better protected from accidental spills. This 1-bowl underbar sink has two holes punched on 4" centers.

This sink offers a durable 18-gauge type 304 stainless steel construction along its top, bowl, and back, in addition to a 20-gauge type 304 stainless steel apron. For maximum stability, it has 16-gauge galvanized steel legs with plastic bullet feet.

**⚠ WARNING:** This product can expose you to chemicals including lead, which are known to the State of California to cause cancer, birth defects, or other reproductive harm. For more information, go to [www.p65warnings.ca.gov](http://www.p65warnings.ca.gov).