



Regency Spec Line 30" x 30" 14 Gauge Stainless Steel Corner Work Table with Sink, Faucet, Hinged Door, and Lock

#60TSSC3030CK



Technical Data

Length	30 Inches
Width	30 Inches
Height	38 Inches
Spout Length	6 Inches
Bowl Depth	5 Inches
Backsplash Height	4 Inches
Faucet Height	9 3/16 Inches
Work Surface Height	34 Inches
Backsplash	With Backsplash
Bowl Front to Back	9 Inches

Features

- Durable 14 gauge, type 304 stainless steel top
- Cabinet has a hinged door and lock with two keys
- Sink features a 9" x 9" x 5" bowl and a 4" backsplash; 6" gooseneck faucet included
- 18 gauge, type 430 stainless steel body fits into corner to maximize space
- Legs can be adjusted from 5" to 7" in height

Certifications



NSF Listed



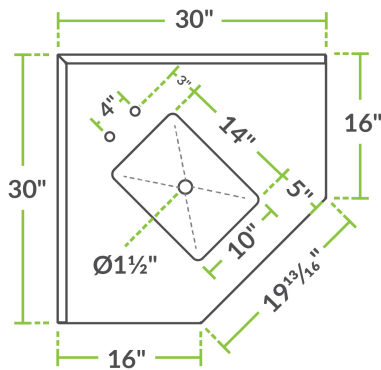
1/2" Water Connection

Technical Data

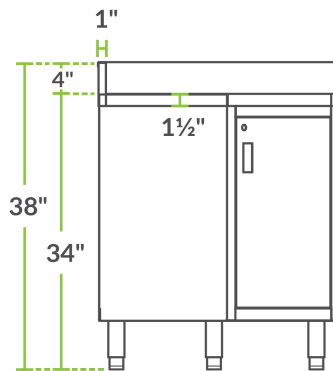
Bowl Left to Right	9 Inches
Cabinet Type	Hinged Doors
Color	Silver
Faucet Centers	4 Inches
Features	California AB100 Compliant Faucet Included NSF Listed
Flow Rate	2 GPM
Gauge	14 - 18 Gauge
Handle Type	Lever
Leg Construction	Stainless Steel
Material	Stainless Steel
Spout Clearance	5 3/8 Inches
Spout Type	Gooseneck
Stainless Steel Type	Type 304 Type 430
Style	Corner
Table Style	Enclosed Base
Type	Work Tables with Sink
Water Inlet Size	1/2 Inches

Plan View

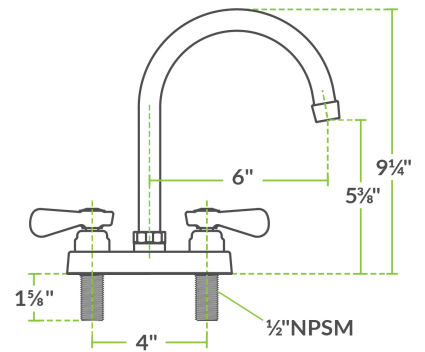
TOP



FRONT



FAUCET



#60TSSC3030CK


Notes & Details

Make the most of your work space with this Regency Spec Line 30" x 30" corner work table with sink, faucet, hinged door, and lock. The top of this work table is constructed from 14 gauge, type 304 stainless steel, while the body is constructed from 18 gauge, type 430 stainless steel. The durable stainless steel construction ensures that this table can withstand the rigors of daily use in a commercial kitchen. This table fits into corners to maximize space in your crowded kitchen.

This table features a 9" x 8" x 5" sink with 4" centers. It also includes a deck-mounted faucet with 4" centers, a 6" swivel gooseneck, and easy-to-install 1/2" male NPS inlets. The faucet features ceramic cartridges for a dependable, watertight seal, and a 2 GPM aerator for consistent flow rate with minimal splashing. The base has a cabinet with a hinged door and a lock with two keys for safe storage. For maximum stability, it has stainless steel legs that can be adjusted from 5" to 7" in height. Save space in your kitchen with this corner work table!

Kit Includes:

- Regency Spec Line 30" x 30" 14 gauge stainless steel corner work table with sink, hinged door, and lock
- Regency deck-mounted faucet with 4" centers and 6" swivel gooseneck spout

 **WARNING:** This product can expose you to chemicals including lead, which are known to the State of California to cause cancer, birth defects, or other reproductive harm. For more information, go to www.p65warnings.ca.gov.