



Regency Spec Line 24" x 24" 14-Gauge 304 Stainless Steel Commercial Open Base Work Table

#600WTS24X24S



Technical Data

Length	24 Inches
Width	24 Inches
Height	34 Inches
Backsplash	Without Backsplash
Base Style	Open
Configuration	Straight
Features	ADA Compliant NSF Listed
Gauge	14 Gauge
Leg Construction	Stainless Steel

Features

- Durable, corrosion-resistant 14-gauge type 304 stainless steel top
- 1 5/8" stainless steel legs with adjustable metal bullet feet
- Holds approximately 600 lb.
- Open top with no backsplash, easy-to-clean surface
- Designed for small spaces or stand-alone installations
- Designed for small spaces or stand-alone installations

Certifications



NSF Listed

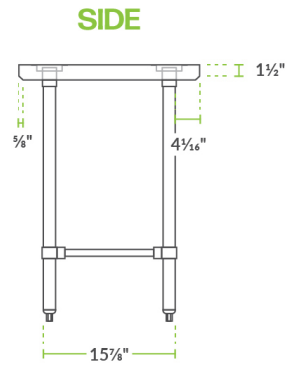
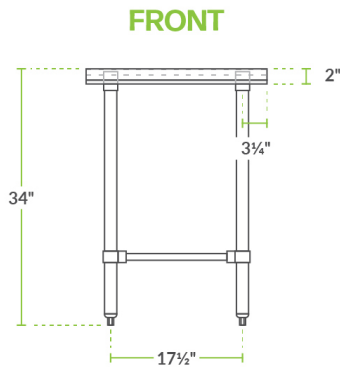
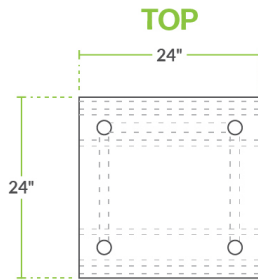


ADA Compliant

Technical Data

Size	24" x 24"
Stainless Steel Type	Type 304
Tabletop Material	Stainless Steel
Top Capacity	600 lb.
Usage	Standard Duty

Plan View



Notes & Details

This Regency Spec Line 24" x 24" stainless steel commercial open base work table is a versatile addition to your kitchen. Made from durable, easy-to-clean 14-gauge 304-series stainless steel, this work table offers superior corrosion resistance and added durability over other work tables made of 18-gauge stainless steel. And due to its all-stainless steel construction, it can withstand a wide range of tasks in your restaurant, cafe, or bakery. It's a great option for rolling out dough or chopping fruits and vegetables, providing your staff with additional work space to complete tasks efficiently.

This table can hold up to 600 lb. of evenly distributed weight and features an open base that allows you to store tall items underneath the table. For increased stability, it includes stainless steel cross bracing with aluminum corner brackets. The legs of this work table are 1 5/8" in diameter and feature adjustable stainless steel feet, allowing you to account for uneven floors and keep your work surface level.

⚠️ WARNING: This product can expose you to chemicals including lead, which are known to the State of California to cause cancer, birth defects, or other reproductive harm. For more information, go to www.p65warnings.ca.gov.