



Regency Spec Line 24" x 24" 14 Gauge Stainless Steel Corner Work Table with Hinged Door and Lock

#600TSSCC2424



Technical Data

Length	24 Inches
Width	24 Inches
Height	38 Inches
Backsplash Height	4 Inches
Work Surface Height	34 Inches
Backsplash	With Backsplash
Color	Silver
Features	NSF Listed
Gauge	14 Gauge
Leg Construction	Stainless Steel

Features

- Durable 14 gauge, type 304 stainless steel top
- Cabinet has a hinged door and lock with two keys
- 18 gauge, type 304 stainless steel body fits into corner to maximize space
- Legs can be adjusted from 5" to 7" in height
- Includes 4" backsplash

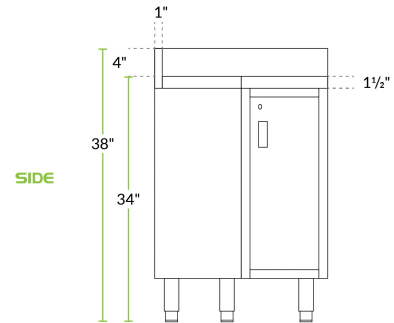
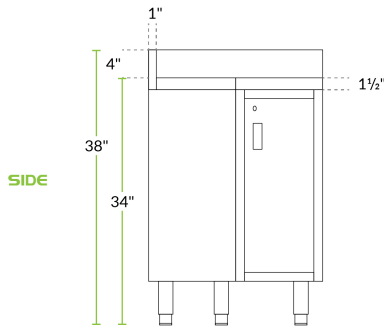
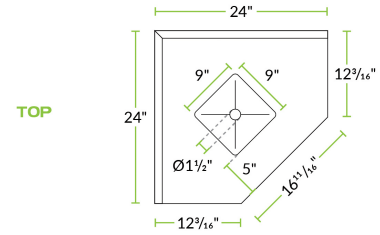
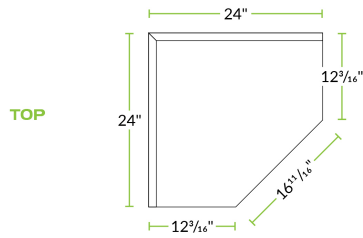
Certifications



Technical Data

Material	Stainless Steel
Number of Legs	4 Legs
Stainless Steel Type	Type 304
Table Style	Enclosed Base
Type	Work Tables

Plan View



Notes & Details

Make the most of your work space with this Regency Spec Line 24" x 24" corner work table with hinged door and lock. The top of this work table is constructed from 14 gauge, type 304 stainless steel, while the body is constructed from 18 gauge, type 304 stainless steel. The durable stainless steel construction ensures that this table can withstand the rigors of daily use in a commercial kitchen. This table fits into corners to maximize space in your crowded kitchen.

This table includes a cabinet with a hinged door and a lock with two keys. For maximum stability, it has stainless steel legs that can be adjusted from 5" to 7" in height. Save space in your kitchen with this corner work table!

WARNING: This product can expose you to chemicals including lead, which are known to the State of California to cause cancer, birth defects, or other reproductive harm. For more information, go to www.p65warnings.ca.gov.