



## Regency Spec Line 30" x 30" 14 Gauge Stainless Steel Corner Work Table

#600TSSC3030S



### Technical Data

|                     |                 |
|---------------------|-----------------|
| Length              | 38 Inches       |
| Width               | 38 Inches       |
| Depth               | 30 Inches       |
| Height              | 38 Inches       |
| Backsplash Height   | 4 Inches        |
| Work Surface Height | 34 Inches       |
| Backsplash          | With Backsplash |
| Base Style          | Undershelf      |
| Configuration       | Corner          |
| Gauge               | 14 Gauge        |

### Features

- Durable 14 gauge, type 304 stainless steel top; 18 gauge, type 430 stainless steel undershelf
- Includes undershelf for convenient storage of plates, utensils, and bowls
- 18-gauge type 430 stainless steel adjustable undershelf
- 1 5/8" stainless steel legs with adjustable metal bullet feet
- 4" backsplash on two sides of the unit
- Fits into corner to maximize space

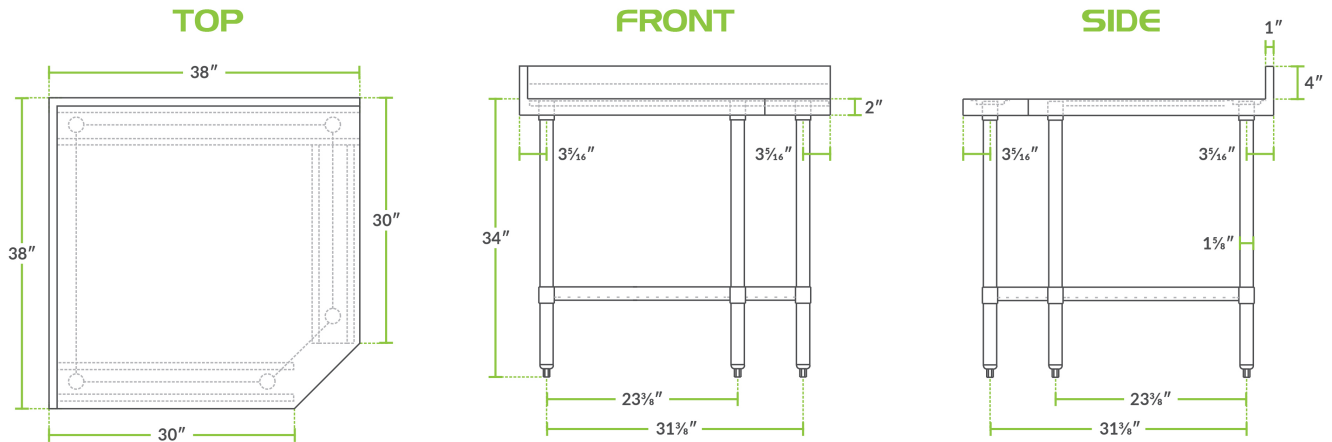
### Certifications



## Technical Data

|                         |                            |
|-------------------------|----------------------------|
| Features                | NSF Listed With Undershelf |
| Leg Construction        | Stainless Steel            |
| Number of Legs          | 5 Legs                     |
| Size                    | 30" x 30"                  |
| Stainless Steel Type    | Type 304                   |
| Style                   | Corner                     |
| Table Style             | Undershelf                 |
| Tabletop Material       | Stainless Steel            |
| Type                    | Corner Work Tables         |
| Undershelf Construction | Stainless Steel            |
| Usage                   | Heavy Duty                 |

## Plan View



## Notes & Details

Make the most of your work space with this Regency Spec Line 30" x 30" 14 gauge stainless steel corner work table. The top of this work table is constructed from 14 gauge, type 304 stainless steel, while the undershelf is constructed from 18 gauge, type 430 stainless steel. The durable stainless steel construction ensures that this table can withstand the rigors of daily use in a commercial kitchen. For your convenience, this table fits into corners to maximize space in your crowded kitchen.

This table features stainless steel legs and adjustable stainless steel feet. It has a spacious undershelf for convenient storage of plates, utensils, and bowls. Plus, it has a 4" backsplash. Perfect for food prep, this corner work table is an easy addition to your crowded kitchen!

**⚠️ WARNING:** This product can expose you to chemicals including lead, which are known to the State of California to cause cancer, birth defects, or other reproductive harm. For more information, go to [www.p65warnings.ca.gov](http://www.p65warnings.ca.gov).