



## Regency Spec Line 41" 14 Gauge Stainless Steel One Compartment Commercial Sink - 36" x 24" x 14" Bowl

#600S13624S



### Technical Data

Length	41 Inches
Width	19 3/4 Inches
Height	45 3/8 Inches
Bowl Depth	14 Inches
Backsplash Height	11 Inches
Work Surface Height	35 Inches
Basket Drain Size	3 1/2 Inches
Bowl Front to Back	24 Inches
Bowl Left to Right	36 Inches
Drain Outlet Size	1 1/2 Inches

### Features

- Made of superior quality, 14 gauge, type 304 stainless steel
- Stainless steel legs, sockets, and bullet feet
- Cross bracing on all four sides for maximum strength and longevity
- Includes a 1 1/2" IPS drain connection and 3 1/2" basket strainer
- Backsplash and rolled edges prevent splashes and overflow

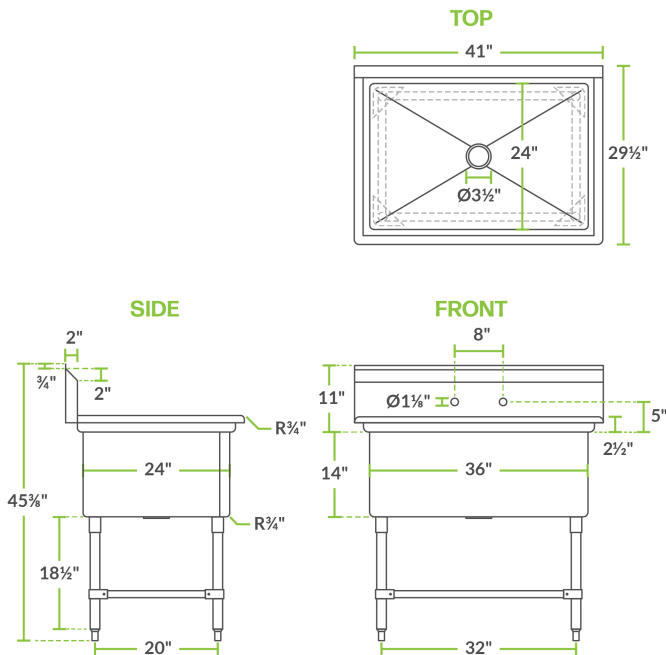
### Certifications



## Technical Data

Faucet Centers	8 Inches
Features	NSF Listed
Gauge	14 Gauge
Installation Type	Freestanding
Leg Construction	Stainless Steel
Material	Stainless Steel
Number of Compartments	1 Compartment
Stainless Steel Type	Type 304
Style	0 Drainboards
Type	Straight / Line Sinks

## Plan View



## Notes & Details

This Regency Spec Line one compartment commercial sink is the perfect addition to your establishment! This sink is perfect for washing pots or rinsing fruits and vegetables. It's constructed from superior quality, 14 gauge, type 304 stainless steel, making it more corrosion-resistant and durable than other sinks made from thinner, 16 gauge material. It features a stainless steel front apron, rolled edges, and a tall 11" backsplash, which helps prevent splashes and overflow.

This sink comes with a 3 1/2" basket strainer to catch food debris, which prevents the drain from clogging. Additionally, this sink sits on 4 stainless steel legs, which feature adjustable stainless steel bullet feet to accommodate uneven floors. The stainless steel legs provide your sink with a solid, reliable foundation to rest upon, so you always have somewhere to wash, rinse, and sanitize dirty dishes. Additionally, this sink features front-to-back and left-to-right cross bracing for maximum stability.

**⚠ WARNING:** This product can expose you to chemicals including lead, which are known to the State of California to cause cancer, birth defects, or other reproductive harm. For more information, go to [www.p65warnings.ca.gov](http://www.p65warnings.ca.gov).