



Regency Spec Line 35" 14 Gauge Stainless Steel One Compartment Commercial Sink - 30" x 24" x 14" Bowl

#600S13024S



Technical Data

| | |
|---------------------|---------------|
| Length | 35 Inches |
| Width | 19 3/4 Inches |
| Height | 45 3/8 Inches |
| Bowl Depth | 14 Inches |
| Backsplash Height | 11 Inches |
| Work Surface Height | 35 Inches |
| Basket Drain Size | 3 1/2 Inches |
| Bowl Front to Back | 24 Inches |
| Bowl Left to Right | 30 Inches |
| Drain Outlet Size | 1 1/2 Inches |

Features

- Made of superior quality, 14 gauge, type 304 stainless steel
- Stainless steel legs, sockets, and bullet feet
- Cross bracing on all four sides for maximum strength and longevity
- Includes a 1 1/2" IPS drain connection and 3 1/2" basket strainer
- Backsplash and rolled edges prevent splashes and overflow

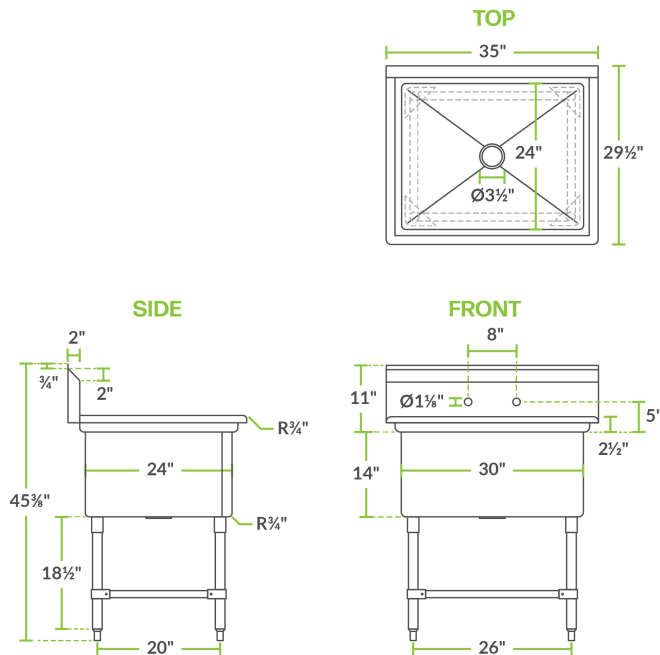
Certifications



Technical Data

| | |
|------------------------|-----------------------|
| Faucet Centers | 8 Inches |
| Features | NSF Listed |
| Gauge | 14 Gauge |
| Installation Type | Freestanding |
| Leg Construction | Stainless Steel |
| Material | Stainless Steel |
| Number of Compartments | 1 Compartment |
| Stainless Steel Type | Type 304 |
| Style | 0 Drainboards |
| Type | Straight / Line Sinks |

Plan View



Notes & Details

This Regency Spec Line one compartment commercial sink is the perfect addition to your establishment! This sink is perfect for washing pots or rinsing fruits and vegetables. It's constructed from superior quality, 14 gauge, type 304 stainless steel, making it more corrosion-resistant and durable than other sinks made from thinner, 16 gauge material. It features a stainless steel front apron, rolled edges, and a tall 11" backsplash, which helps prevent splashes and overflow.

This sink comes with a 3 1/2" basket strainer to catch food debris, which prevents the drain from clogging. Additionally, this sink sits on 4 stainless steel legs, which feature adjustable stainless steel bullet feet to accommodate uneven floors. The stainless steel legs provide your sink with a solid, reliable foundation to rest upon, so you always have somewhere to wash, rinse, and sanitize dirty dishes. Additionally, this sink features front-to-back and left-to-right cross bracing for maximum stability.

⚠ WARNING: This product can expose you to chemicals including lead, which are known to the State of California to cause cancer, birth defects, or other reproductive harm. For more information, go to www.p65warnings.ca.gov.