



Regency 20 Pan End Load Stainless Steel Bun / Sheet Pan Rack - Unassembled

#600PR20316K



Technical Data

Length	26 Inches
Width	20 1/4 Inches
Height	70 1/2 Inches
Assembled	Assembly Required
Capacity	440 lb.
Casters	With Casters
Color	Silver
Features	Freezer Safe
Individual Shelf Capacity	135 lb.
Loading Style	End Load

Features

- Holds 20 full size or 40 half size sheet pans
- Durable stainless steel construction
- Shelves spaced at 3" increments
- 440 lb. weight capacity is perfect for storing and transporting baked goods
- Includes (4) 5" non-marking casters, two with locks

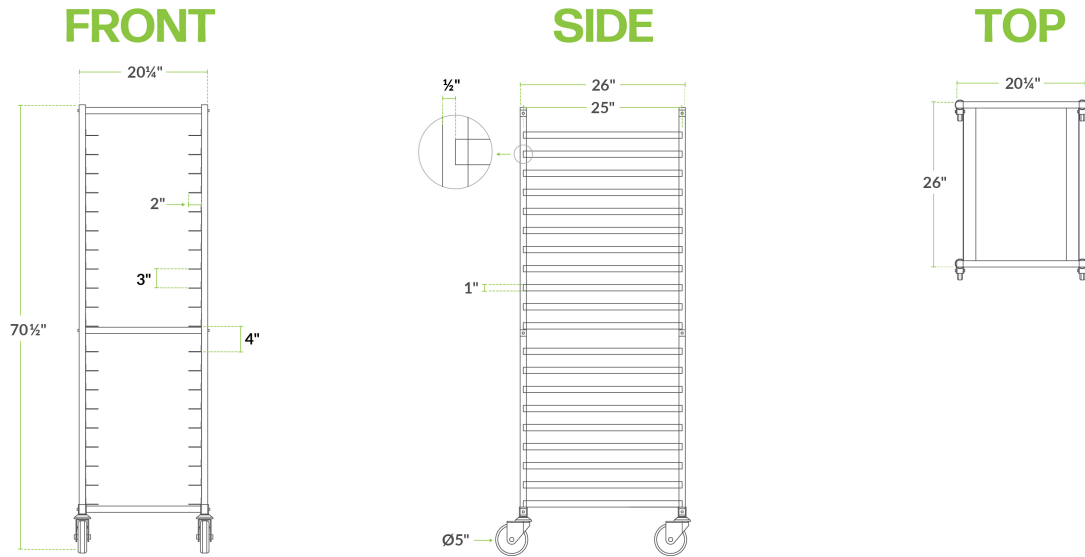
Certifications



Technical Data

Material	Stainless Steel
Pan Capacity	20 - 40 Pans
Pan Type	Half and Full Size Sheet Pans
Rack Style	Bun Pan
Shelf / Ledge Spacing	3 Inches
Style	Open
Type	Full Height Sheet Pan Racks

Plan View



600PR20316K

Notes & Details

This Regency end load unassembled bun pan rack is a convenient way to transport up to 20 full size or 40 half size bun pans around your establishment. With 3" of space between each slide, this unit is great for commercial kitchens, bakeries, restaurants, grocery stores and more!

The Regency PR20316K boasts 16 gauge type 430 stainless steel slides and 20 gauge 1" O.D. square tubing for long lasting performance. It also features four 5" casters, two with brakes for added security when loading and unloading pans. This unit ships unassembled.

WARNING: This product can expose you to chemicals including lead, which are known to the State of California to cause cancer, birth defects, or other reproductive harm. For more information, go to www.p65warnings.ca.gov.