



## Regency 24" x 36" Stainless Steel Microwave Shelf

#600MS2436



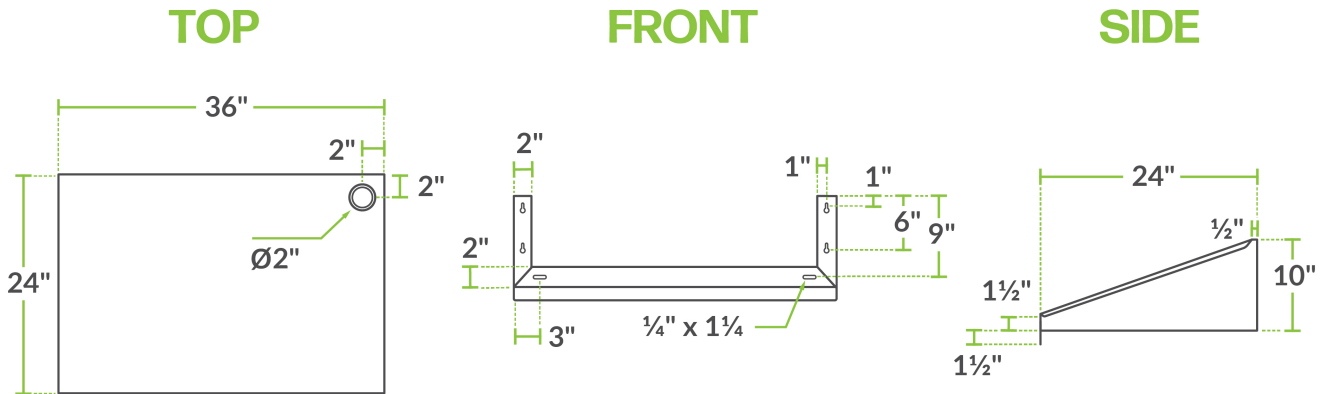
### Technical Data

Length	24 Inches
Width	36 Inches
Height	9 Inches
Capacity	240 lb.
Color	Silver
Gauge	18 Gauge
Material	Stainless Steel
Style	Solid
Type	Microwave Shelves

### Features

- Durable 18 gauge 430 stainless steel
- Measures 24" x 36"
- Mounting hardware sold separately
- Maximum weight capacity of 240 lb.
- Easy-to-clean design

Plan View



Notes & Details

Maximize the space in your kitchen with the Regency 24" x 36" stainless steel microwave shelf. With this shelf in place, you'll be able to keep your commercial microwave within easy reach without taking up your valuable counter space. It's more space efficient than a bulky microwave cart or stand, which can block walking areas in your kitchen. Simply attach this shelf to the wall for a reliable storage option over your prep area, stove, sink, or other area of your kitchen (installation hardware sold separately).

Made with durable 18-gauge type 430 stainless steel, this shelf is designed to stand up to wear and tear from a commercial kitchen and to keep your microwave secure and steady. It includes a grommet hole for power cords to pass through and has an ample 240 lb. weight capacity, ensuring you can store all your needed supplies or equipment, including plates, ingredients, or other small pieces of equipment that need to be within easy reach. For extra stability, this shelf has welded support brackets. This shelf is easy to wipe down and thoroughly clean in case of any stray crumbs or spilled liquids.

**⚠ WARNING:** This product can expose you to chemicals including lead, which are known to the State of California to cause cancer, birth defects, or other reproductive harm. For more information, go to [www.p65warnings.ca.gov](http://www.p65warnings.ca.gov).