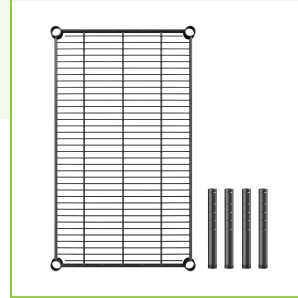
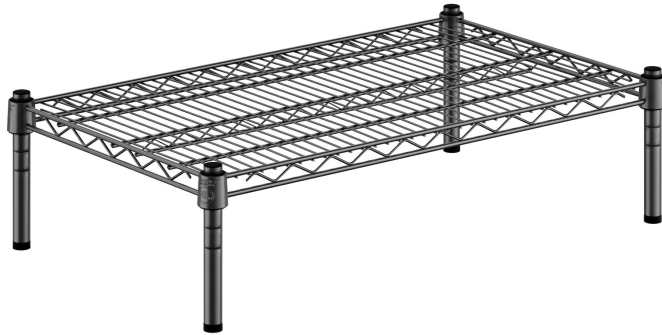




Regency 18" x 30" NSF Black Epoxy 1-Shelf Dunnage Rack with 8" Posts

#460EB1830D81



Technical Data

Length	30 Inches
Width	18 Inches
Height	8 Inches
Post Diameter	1 Inch
Assembly Options	Assembly Required
Capacity	600 lb.
Capacity (per Shelf)	600 lb.
Casters	Without Casters
Color	Black
Features	NSF Certified

Features

- Epoxy coating resists corrosion for long-lasting use; suitable for humid/moist environments
- (1) 18" x 30" shelf accommodates up to 600 lb.
- (4) 8" stationary posts allow for shelves to be adjusted; foot included and required for use
- Includes 4 pairs of split sleeves
- Wire design promotes proper air flow around stored products

Certifications



Technical Data

Finish	Black Epoxy
Material	Epoxy-Coated
Number of Shelves	1 Shelf
Rack Style	Stationary
Style	Adjustable Vented
Type	Dunnage Racks Racks
Usage	All Environments Dry Environments Front of House Garage Moist Environments Retail Stock Rooms Warehouse

Notes & Details

Keep your storage area organized with the Regency 18" x 30" NSF black epoxy 1-shelf dunnage rack! This rack includes (1) 18" x 30" wire shelf and (4) 8" posts, which allow you to create a convenient storage solution for your janitorial closet, retail store, warehouse, walk-in cooler, or office space. For maximum versatility, the black epoxy coating allows for use in either dry or moist environments, making the unit a multipurpose investment that's sure to accommodate your ever-evolving needs. Plus, because the coating is black, it's subtle and professional, perfect for office settings or for merchandising applications and front-of-house sales. This unit's high-quality design is commercial grade and delivers the reliable performance every business expects and needs.

The shelf features a wire construction, which allows for proper air flow while keeping your heavy supplies off the floor. It's adjustable, too; since the posts are marked in intervals and use a split sleeve system of assembly, the shelf is easy to move higher or lower along the posts. This is especially great for expanding businesses that may not have finalized their product offerings.

This item includes 4 pairs of split sleeves, and the shelf accommodates up to 600 lb. of weight. Likewise, a foot is provided for each post and must be used for proper installation. The shelving unit requires assembly.