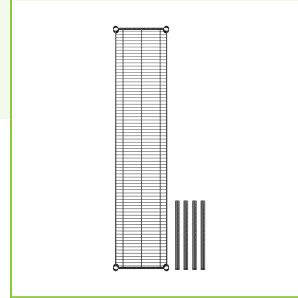
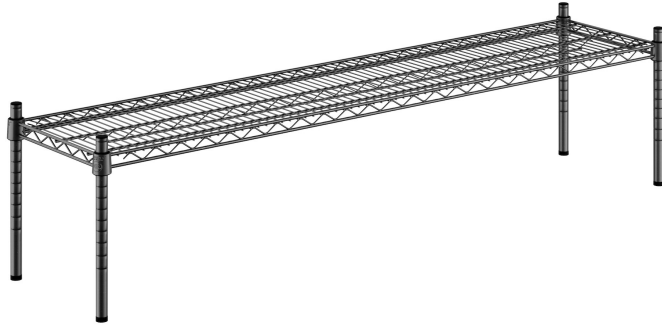




## Regency 14" x 60" NSF Black Epoxy Dunnage Shelf with 14" Posts

#460EB1460D11



### Technical Data

Length	60 Inches
Width	14 Inches
Height	14 Inches
Assembly Options	Assembly Required
Capacity	450 lb.
Casters	Without Casters
Color	Black
Finish	Epoxy
Material	Epoxy-Coated Steel

### Features

- Epoxy coating resists corrosion in moist / humid environments for long-lasting use
- 14" x 60" shelf accommodates up to 450 lb. of evenly distributed weight
- (4) 14" stationary posts allow for shelves to be adjusted; foot included and required for use
- Includes a set of 4 split sleeves
- Wire design promotes proper air flow around stored products

### Certifications



## Technical Data

Number of Shelves	1 Shelf
Rack Style	Stationary
Style	Adjustable Stationary Vented
Type	Dunnage Racks Racks
Usage	All Environments Dry Environments Front of House Garage Moist Environments Retail Stock Rooms Warehouse

## Notes & Details

Keep your storage area organized with this Regency 14" x 60" NSF black epoxy dunnage shelf. This kit includes a 14" x 60" wire shelf and (4) 14" posts, which allow you to create a convenient storage solution for your restaurant, hotel, bar, warehouse, or garage. For maximum versatility, the durable zinc plated metal with a black epoxy coating allows for use in either dry or moist environments, making the unit a multipurpose investment that's sure to accommodate your ever-evolving needs. Plus, the unit's high-quality design is commercial grade and delivers the reliable performance every business expects and needs.

This kit boasts an attractive wire construction that works well in front-of-house merchandising as well as display spaces in your boutique, market, or other business venue. It also allows for proper air flow around stored supplies, products, or ingredients. Plus, since the posts are marked in regularly-spaced intervals and use a split sleeve system of assembly, the shelf is easy to move higher or lower depending on your organizational needs. A set of 4 split sleeves is provided for the shelf, which can accommodate an impressive 450 lb. of evenly distributed weight. Likewise, a foot is provided for each post and must be used for proper installation. The shelving unit requires assembly.

**⚠️ WARNING:** This product can expose you to chemicals including lead, which are known to the State of California to cause cancer and birth defects or other reproductive harm. For more information, go to [www.p65warnings.ca.gov](http://www.p65warnings.ca.gov).