



## Regency 20 Pan Side Load Bun / Sheet Pan Rack - Unassembled

#109APR1826L



### Technical Data

Length	28 1/4 Inches
Width	18 Inches
Height	69 1/4 Inches
Assembled	Assembly Required
Capacity	400 lb.
Casters	With Casters
Color	Silver
Features	Freezer Safe NSF Listed
Individual Shelf Capacity	55 lb.

### Features

- Holds up to 20 full size sheet pans
- Heavy-duty aluminum construction with six cross supports for added stability
- Shelves spaced at 3" increments
- Includes (4) 5" non-marking casters, two with locks
- 400 lb. capacity is perfect for storing and transporting baked goods

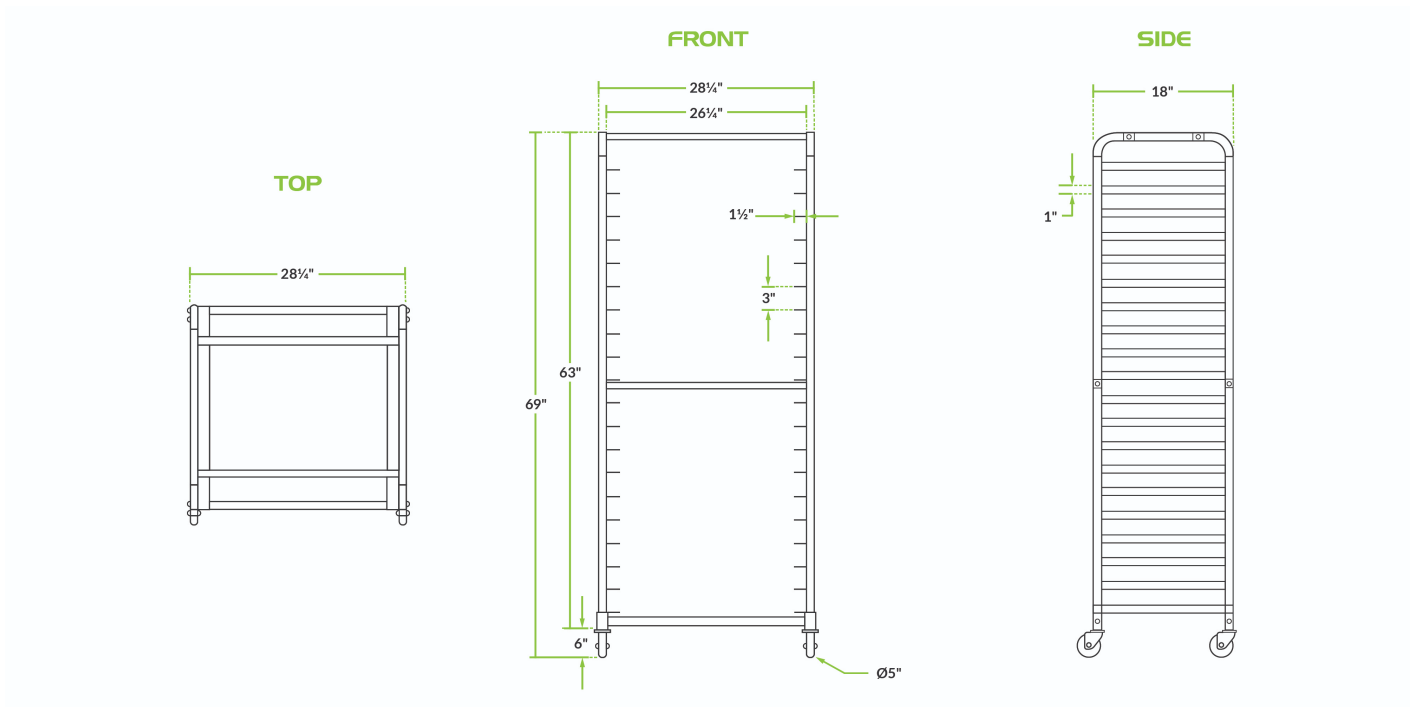
### Certifications



## Technical Data

Loading Style	Side Load
Material	Aluminum
Pan Capacity	20 Pans
Pan Type	Full Size Sheet Pans
Rack Style	Bun Pan
Shelf / Ledge Spacing	3 Inches
Style	Open
Type	Full Height Sheet Pan Racks

## Plan View



## Notes & Details

If you're looking for a durable side load bun pan rack at an outstanding price, this Regency rack is the perfect solution for any foodservice application. This unassembled side load bun pan rack has a curved top design and durable sides made of aluminum, with six cross supports for added stability. It can hold 20 full size pans with 3" spacing. This side load pan rack's 5" polyurethane non-marking casters enable a quiet, smooth ride. This premium bun pan rack offers the strength and durability of a welded unit, but at an outstanding price!

**⚠ WARNING:** This product can expose you to chemicals including lead, which are known to the State of California to cause cancer, birth defects, or other reproductive harm. For more information, go to [www.p65warnings.ca.gov](http://www.p65warnings.ca.gov).