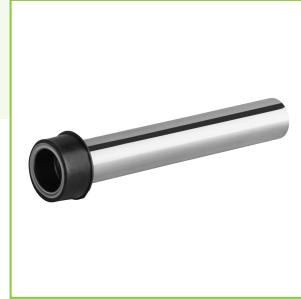




## Regency 8" Stainless Steel Overflow Pipe for 1 1/2" - 1 3/4" Drains

#600SSOP8



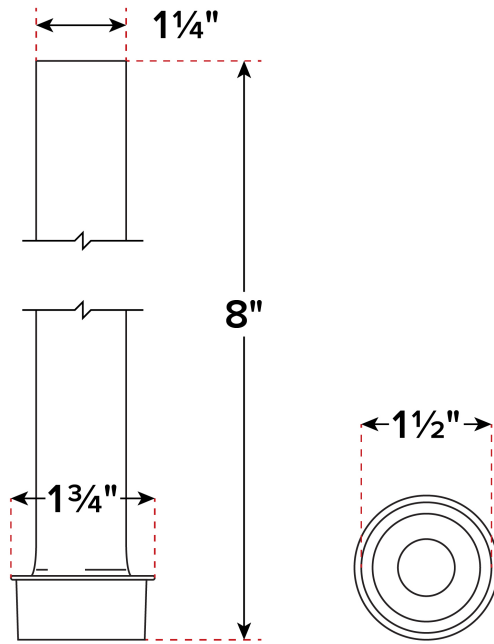
### Technical Data

Height	8 Inches
Maximum Diameter	1 3/4 Inches
Top Diameter	1 1/4 Inches
Color	Silver
Drain Size	1 1/2 - 1 3/4 Inches
Material	Stainless Steel
Type	Overflow Pipes

### Features

- Designed for 1 1/2" - 1 3/4" drains
- Helps prevent messy spills
- Starts draining when water level reaches the pipe opening
- Great for bars, kitchens, ice cream shops, and more
- Durable stainless steel construction

## Plan View



## Notes & Details

Made of rugged stainless steel for long-lasting performance, this Regency 8" overflow pipe gives you the reliable tool you need to fill your sink while taking care of other tasks without worrying about messy and potentially hazardous spills! The pipe's  $1\frac{3}{4}"$  bushing fits seamlessly into your sink's nominal  $1\frac{1}{2}" - 1\frac{3}{4}"$  drain for incredibly simple operation. A fantastic addition to any restaurant, bar, or ice cream shop, this pipe is great for 10" deep sinks or even dipper wells. It has a  $1\frac{1}{4}"$  top diameter for safely draining water after the sink fills to the pipe's opening.

**⚠ WARNING:** This product can expose you to chemicals including lead, which are known to the State of California to cause cancer, birth defects, or other reproductive harm. For more information, go to [www.p65warnings.ca.gov](http://www.p65warnings.ca.gov).