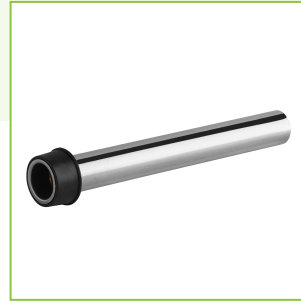




Regency 10" Stainless Steel Overflow Pipe for 1 1/2" - 1 3/4" Drains

#600SSOP10



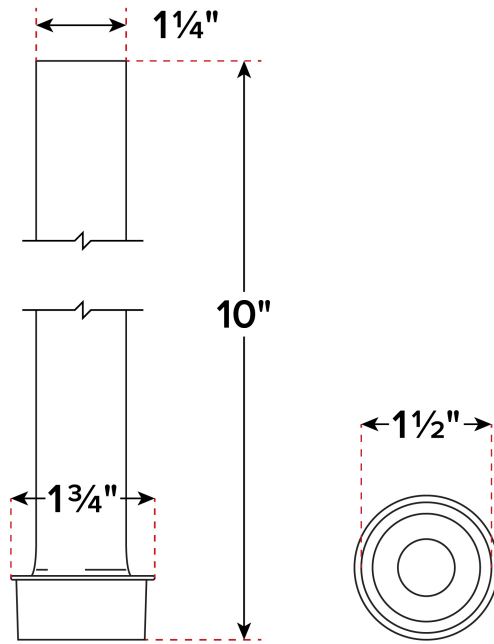
Technical Data

Height	10 Inches
Maximum Diameter	1 3/4 Inches
Top Diameter	1 1/4 Inches
Color	Silver
Drain Size	1 1/2 - 1 3/4 Inches
Material	Stainless Steel
Type	Overflow Pipes

Features

- Designed for 1 1/2" - 1 3/4" drains
- Helps prevent messy spills
- Fits seamlessly into sink's drain
- Starts draining when water level reaches the pipe opening
- Durable stainless steel construction

Plan View



Notes & Details

Made of rugged stainless steel for long-lasting performance, this Regency 10" overflow pipe gives you the reliable tool you need to fill your sink while taking care of other tasks without worrying about messy and potentially hazardous spills! The pipe's $1\frac{3}{4}$ " bushing fits seamlessly into your sink's nominal $1\frac{1}{2}$ " - $1\frac{3}{4}$ " drain for incredibly simple operation. A fantastic addition to any restaurant or bar, this pipe is great for 12" deep sinks and has a $1\frac{1}{4}$ " top diameter for safely draining water after the sink fills to the pipe's opening.

⚠ WARNING: This product can expose you to chemicals including lead, which are known to the State of California to cause cancer, birth defects, or other reproductive harm. For more information, go to www.p65warnings.ca.gov.