



Regency Pre-Rinse Finger Hook Assembly

#600PRFHA



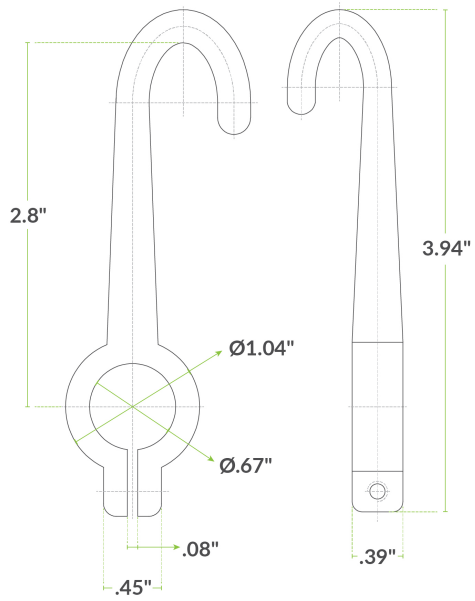
Technical Data

Type	Hooks
------	-------

Features

- Direct replacement for original part
- Holds the spray valve in place when not in use
- Fits 3/8" NPS risers on Regency pre-rinse faucets

Plan View



Notes & Details

This Regency pre-rinse finger hook assembly is perfect for use as a replacement on your pre-rinse faucet. The finger hook mounts onto the pre-rinse riser and provides a place to secure the spray valve when it's not being used. If the finger hook on your faucet is broken or missing, use this one to fix the issue and get it working again! It is designed to fit 3/8" NPS risers on Regency pre-rinse faucets.

⚠ WARNING: This product can expose you to chemicals including lead, which are known to the State of California to cause cancer, birth defects, or other reproductive harm. For more information, go to www.p65warnings.ca.gov.