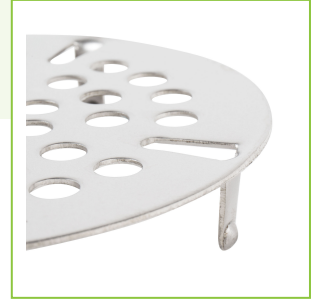




Regency 3 1/2" Flat Strainer for Twist / Lever Handle Valve Drains

#600LWSTRAINR



Technical Data

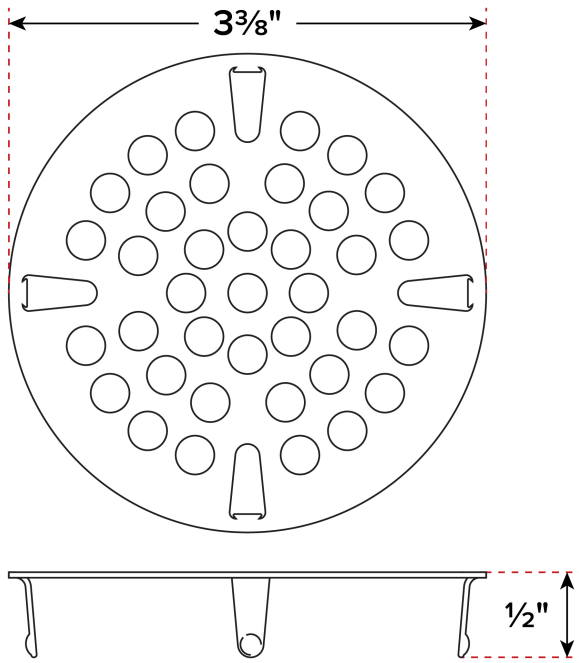
Type

Baskets and Strainers

Features

- Easily fits into existing sink and twist / lever waste valves with 3 1/2" drain
- Catches debris to reduce clogging
- Replacement for 600DL1 and 600DT1
- Fits other popular brand twist / lever drains including T&S and Advance Tabco

Plan View



Notes & Details

This flat Regency strainer is $3\frac{1}{2}"$ in diameter and easily fits into your compatibly sized $3\frac{1}{2}"$ sink drains and twist / lever handle waste valves. This strainer will fit other brands of lever / twist drains including T&S and Advance Tabco.

⚠ WARNING: This product can expose you to chemicals including lead, which are known to the State of California to cause cancer, birth defects, or other reproductive harm. For more information, go to www.p65warnings.ca.gov.