



Regency Single Pedal Knee Valve

#600KNEEVALVE



Technical Data

| | |
|------------------|--------------------|
| Type | No Spout |
| Valve Type | Single Knee Action |
| Water Inlet Size | 3/8 Inches |

Features

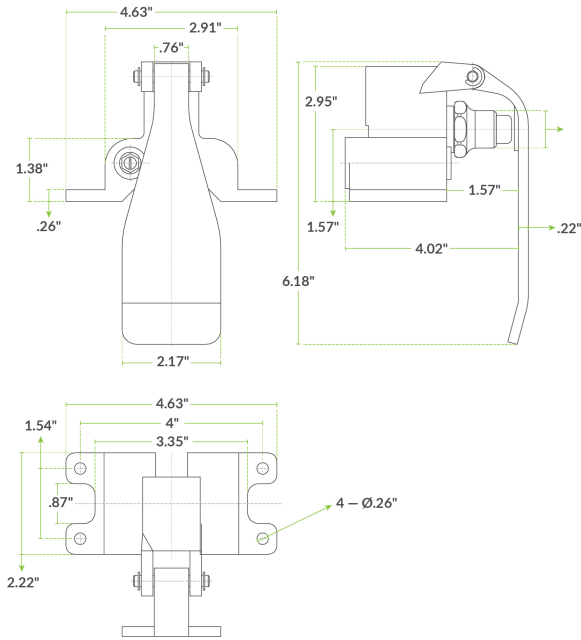
- Fits Regency hand sinks with a single pedal valve
- Allows easy, hands-free operation
- 3/8"-18 NPT inlet and outlet

Certifications



3/8" Water Connection

Plan View



Notes & Details

This Regency single pedal knee valve is a perfect way to fix a broken part on your Regency hands-free hand sink! Faucet handles are a key contact point for the spread of germs since many people touch them, and touch them frequently. Knee valves like this one improve sanitation by removing the handles and allowing you to operate the water flow with a convenient pedal system. It has a 3/8"-18 NPT inlet to connect to your water lines, and a 3/8"-18 NPT outlet to connect to your faucet.

⚠ WARNING: This product can expose you to chemicals including lead, which are known to the State of California to cause cancer, birth defects, or other reproductive harm. For more information, go to www.p65warnings.ca.gov.