



Regency Hands-Free Faucet Wand

#600HFFW



Technical Data

Length	4 3/4 Inches
Width	1 1/2 Inches
Features	NSF Listed
Material	Brass
Type	Faucet Wands Mechanical Parts

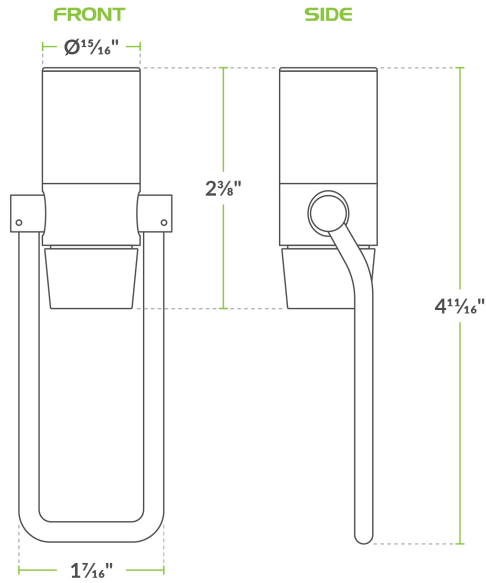
Features

- Provides hands-free operation for hand sinks
- Push bar activation
- Helps prevent cross-contamination
- Easy to install
- Attaches to compatible Regency faucets (sold separately)

Certifications



Plan View



Notes & Details

Easily boost your sink's sanitation with this Regency hands-free faucet wand. This Regency faucet wand provides you with a simple way to make any sink hands-free without investing in an electronic faucet or finding space for a knee or foot pedal valve! Invaluable in kitchens, healthcare facilities, or even auto garages and other potentially messy environments, this hands-free operation helps ensure that germs, bacteria, grease, and other dirt is washed down the drain instead of clinging to faucet handles. Simply push your arm or a glass against the push bar to trigger the flow of clean water from the spout and release the bar when done to stop the flow of water. This wand can also be used to fill glasses or pots for added convenience. Incredibly simple to install, this hands-free faucet wand attaches directly to the end of your faucet's nozzle using a 55/64-27UNS connection.

⚠ WARNING: This product can expose you to chemicals including lead, which are known to the State of California to cause cancer, birth defects, or other reproductive harm. For more information, go to www.p65warnings.ca.gov.