



Regency Wall Mount Faucet with 8" Swing Spout and 8" Centers

#600FW88LL



Technical Data

Spout Length	8 Inches
Faucet Height	4 9/16 Inches
Cartridge Type	Stem
Faucet Centers	8 Inches
Finish	Chrome
Flow Rate	2 GPM
Handle Type	Lever
Material	Brass
Mounting Style	Wall Mounted
Mounting Type	Adjustable

Features

- 8" swing spout, 2 GPM aerator
- 8" centers, 1/2" NPT inlets
- Wall mounted base, attractive chrome-plated brass construction
- 140 degree maximum water temperature
- Lever handle design

Certifications



NSF/ANSI 61 & 372

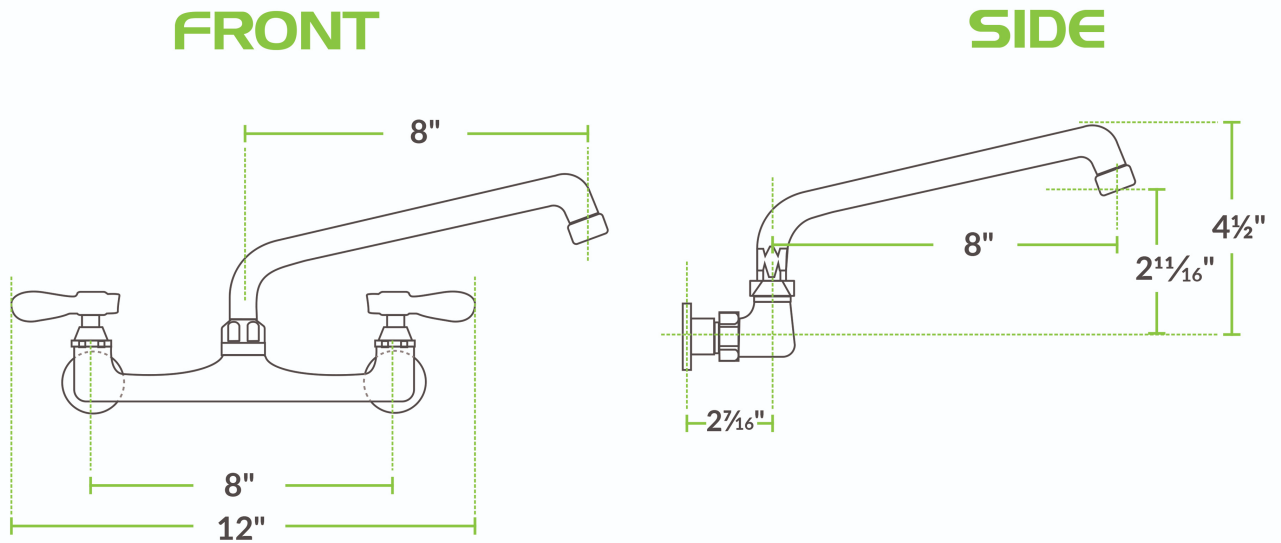


1/2" Water Connection

Technical Data

Spout Clearance	2 5/16 Inches
Spout Type	Swing
Temperature Rating	140 Degrees Fahrenheit
Type	Faucets
Water Inlet Size	1/2 Inches

Plan View



Notes & Details

Install a convenient and useful water fixture in your business with this Regency wall mount faucet! This faucet features 8" centers for fast and easy installation, and its 8" long swing spout provides excellent reach and clearance for rinsing out glasses and washing dishes in your sinks. This faucet is designed for use in janitorial and dishwashing applications only, and is not intended for applications where the fixture will be used to supply drinking water, or water for cooking.

For quick identification, this faucet features two easy-to-turn, labeled and color coded handles for hot and cold water. Plus, the entire unit features an attractive chrome-plated brass construction that looks great in any setting! It comes with a 2 GPM aerator outlet that provides a gentle stream perfect for most standard applications. An installation kit is required for setup (sold separately).

⚠️ WARNING: This product can expose you to chemicals including lead, which are known to the State of California to cause cancer, birth defects, or other reproductive harm. For more information, go to www.p65warnings.ca.gov.