



Regency Wall Mount Faucet with 8" Centers and 3 1/2" Swivel Gooseneck Spout

#600FW84GLL



Technical Data

Spout Length	3 1/2 Inches
Faucet Height	8 Inches
Cartridge Type	Compression
Faucet Centers	8 Inches
Finish	Chrome
Flow Rate	2 GPM
Handle Type	Lever
Material	Brass
Mounting Style	Wall Mounted
Mounting Type	Adjustable

Features

- 3 1/2" long swivel gooseneck spout, 2 GPM flow rate
- 8" centers, 1/2" NPT inlets
- Wall mounted base, attractive chrome-plated brass construction
- 140 degree maximum water temperature
- Lever handle design

Certifications



NSF/ANSI 61 & 372



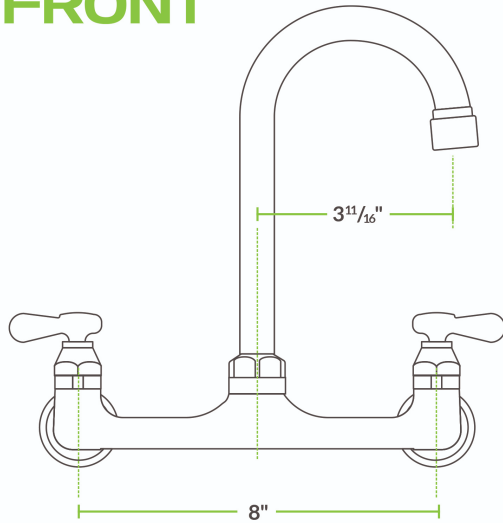
1/2" Water Connection

Technical Data

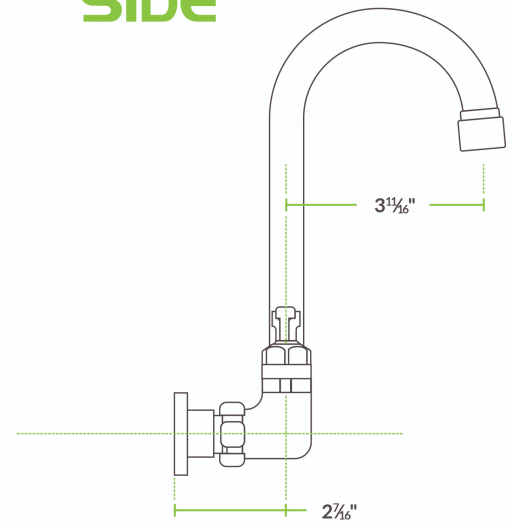
Spout Clearance	5 1/8 Inches
Spout Type	Gooseneck
Temperature Rating	140 Degrees Fahrenheit
Type	Faucets
Water Inlet Size	1/2 Inches

Plan View

FRONT



SIDE



Notes & Details

Install a convenient and useful water fixture in your business with this Regency wall mount faucet! Featuring a flow rate of 2 GPM and a 1/2" NPT connection, this faucet is great for dishwashing and other general cleaning tasks. It features 8" centers, and its 3 1/2" long swivel gooseneck nozzle provides more clearance than a traditional swing nozzle. An installation kit is required for setup (sold separately).

For quick identification, this faucet features two easy-to-turn, labeled and color coded handles for hot and cold water. Plus, the entire unit features an attractive chrome-plated brass construction that looks great in any setting!

⚠ WARNING: This product can expose you to chemicals including lead, which are known to the State of California to cause cancer, birth defects, or other reproductive harm. For more information, go to www.p65warnings.ca.gov.