



## Regency Wall Mount Faucet with 14" Swing Spout and 8" Centers

#600FW814LL



### Technical Data

Spout Length	14 Inches
Faucet Height	5 5/16 Inches
Cartridge Type	Stem
Faucet Centers	8 Inches
Finish	Chrome
Flow Rate	2 GPM
Handle Type	Lever
Material	Brass
Mounting Style	Wall Mounted
Mounting Type	Adjustable

### Features

- 14" swing spout, 2 GPM aerator
- 8" centers, 1/2" NPT inlets
- Wall mounted base, attractive chrome-plated brass construction
- 140 degree maximum water temperature
- Lever handle design

### Certifications



NSF/ANSI 61 & 372

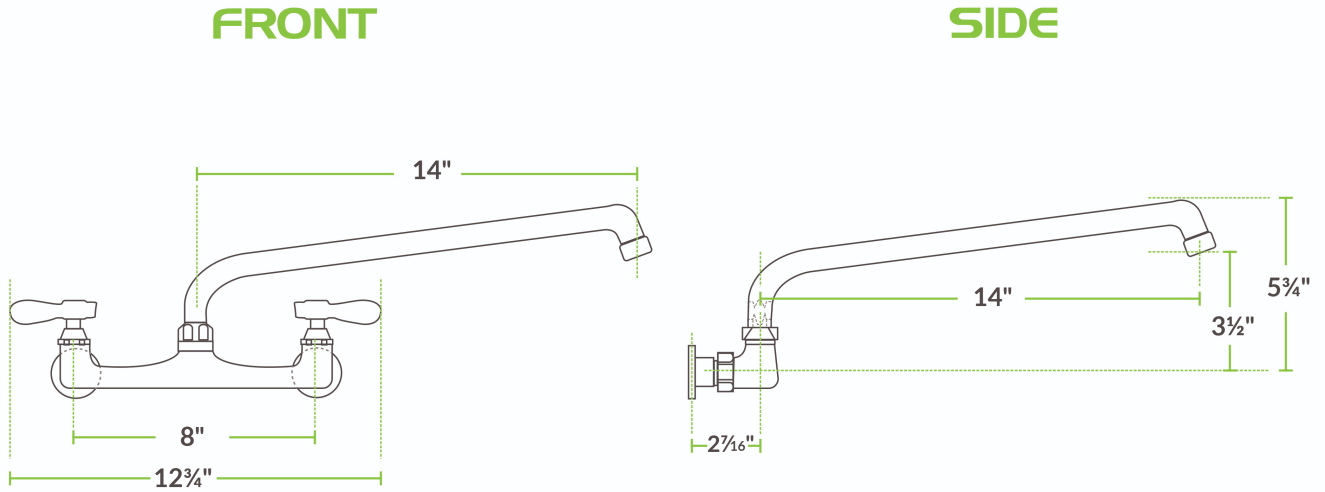


1/2" Water Connection

## Technical Data

Spout Clearance	3 1/2 Inches
Spout Type	Swing
Temperature Rating	140 Degrees Fahrenheit
Type	Faucets
Water Inlet Size	1/2 Inches

## Plan View



## Notes & Details

Install a convenient and useful water fixture in your business with this Regency wall mount bar sink faucet! This faucet features 8" centers for fast and easy installation, and its 14" long swing spout provides excellent reach and clearance for rinsing out glasses and washing dishes in your three compartment sinks.

For quick identification, this faucet features two easy-to-turn, labeled and color coded handles for hot and cold water. Plus, the entire unit features an attractive chrome-plated brass construction that looks great in any setting! It comes with a 2 GPM aerator outlet that provides a gentle stream perfect for most standard applications. An installation kit is required for setup (sold separately).

**⚠️ WARNING:** This product can expose you to chemicals including lead, which are known to the State of California to cause cancer, birth defects, or other reproductive harm. For more information, go to [www.p65warnings.ca.gov](http://www.p65warnings.ca.gov).