



## Regency Wall Mount Hand Sink Faucet with 3 1/2" Swivel Gooseneck Spout and 4" Centers

#600FW44G



### Technical Data

Spout Length	3 1/2 Inches
Faucet Height	8 1/2 Inches
Faucet Centers	4 Inches
Features	California AB100 Compliant NSF/ANSI 372 NSF/ANSI 61
Finish	Chrome
Flow Rate	2 GPM
Handle Type	Lever
Material	Brass

### Features

- 3 1/2" long x 8 1/2" tall swivel gooseneck spout, 2 GPM flow rate
- 4" centers, 1/2" NPS inlets
- Wall mounted base, attractive chrome-plated brass construction
- 140 degree maximum water temperature
- Lever handle design

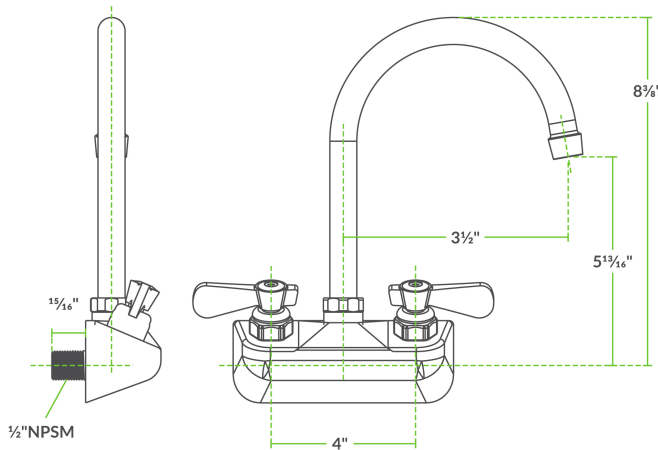
### Certifications



## Technical Data

Mounting Style	Wall Mounted
Mounting Type	Workboard
Spout Clearance	5 1/8 Inches
Spout Type	Gooseneck
Temperature Rating	140 Degrees Fahrenheit
Type	Faucets
Water Inlet Size	1/2 Inches

## Plan View



## Notes & Details

This Regency wall mount hand sink faucet with 3 1/2" swivel gooseneck spout is an excellent choice when you need a reliable, affordable water fixture for your facility! Designed to be easy to install and easy to maintain, it's easy to see why Regency faucets are a great solution for any business. Thanks to a 3 1/2" long and 8 1/2" tall swivel gooseneck spout, this faucet delivers water exactly where you need it, and the hinged design gives maximum flexibility when washing your hands while also letting you fold it out of the way when it's not being used.

Water exits the faucet with a 2 GPM flow rate, which creates a soft flow pattern with minimal splashing. The faucet installs on your wall or sink backsplash on a pair of 4" centers and connects to the facility water lines with a set of 1/2" NPS inlets. The faucet body is made from chrome-plated brass that complements nearly any design aesthetic, and the water flow is controlled by a pair of simple lever handles. An installation kit is required for setup (sold separately).

**WARNING:** This product can expose you to chemicals including lead, which are known to the State of California to cause cancer, birth defects, or other reproductive harm. For more information, go to [www.p65warnings.ca.gov](http://www.p65warnings.ca.gov).