



Regency Wall Mount Faucet with 10" Swing Spout and 4" Centers

#600FW410



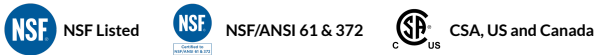
Technical Data


Spout Length	10 Inches
Faucet Height	5 1/2 Inches
Cartridge Type	Ceramic
Faucet Centers	4 Inches
Features	California AB100 Compliant NSF/ANSI 372 NSF/ANSI 61
Finish	Chrome
Flow Rate	2 GPM
Handle Type	Lever

Features

- 10" swing spout, 2 GPM aerator
- 4" centers, 1/2" NPS inlets
- Wall mounted base, attractive chrome-plated brass construction
- 140 degree maximum water temperature
- Lever handle design

Certifications

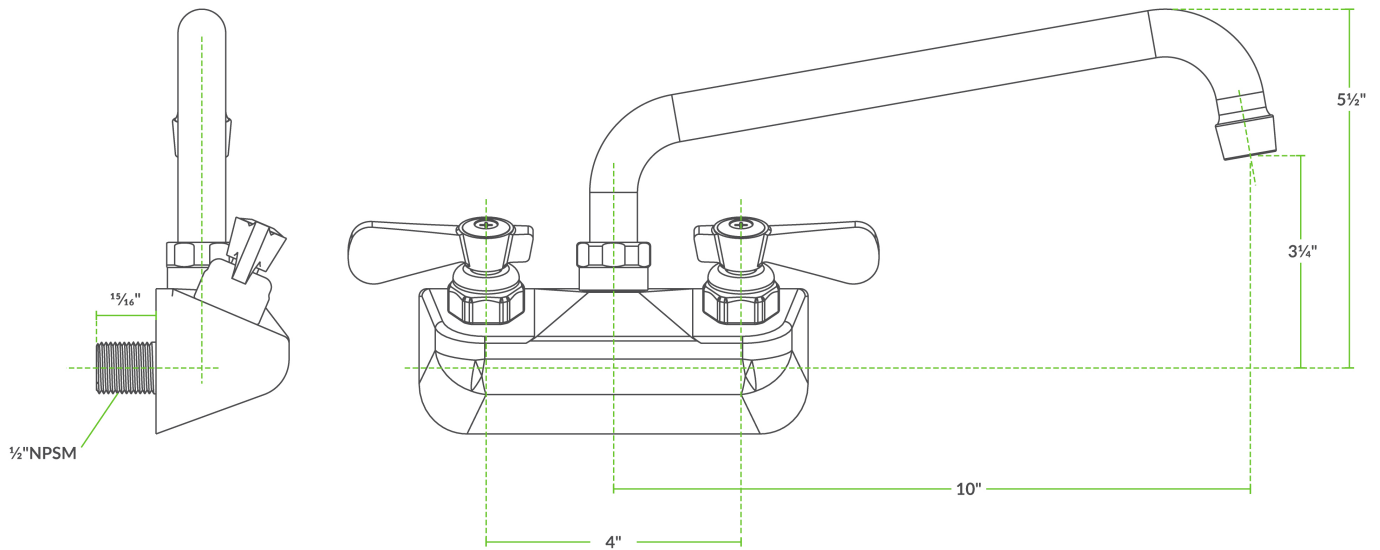


 1/2" Water Connection

Technical Data

Material	Brass
Mounting Style	Wall Mounted
Mounting Type	Workboard
Spout Clearance	3 1/4 Inches
Spout Type	Swing
Temperature Rating	140 Degrees Fahrenheit
Type	Faucets
Water Inlet Size	1/2 Inches

Plan View



Notes & Details

This Regency wall mount faucet with 10" swing spout is an excellent choice when you need a reliable, affordable water fixture for your facility! Designed to be easy to install and easy to maintain, it's easy to see why Regency faucets are a great solution for any business. Thanks to a 10" swing spout, this faucet delivers water exactly where you need it, and the moveable design lets you adjust it to fill multi-compartment sinks or maneuver around larger cooking vessels.

Water exits the faucet through a 2 GPM aerator, which creates a soft flow pattern with minimal splashing. The faucet installs on your wall or sink backsplash on a pair of 4" centers and connects to the facility water lines with a set of 1/2" NPT inlets. The faucet body is made from chrome-plated brass that complements nearly any design aesthetic, and the water flow is controlled by a pair of simple lever handles. An installation kit is required for setup (sold separately).

⚠ WARNING: This product can expose you to chemicals including lead, which are known to the State of California to cause cancer, birth defects, or other reproductive harm. For more information, go to www.p65warnings.ca.gov.