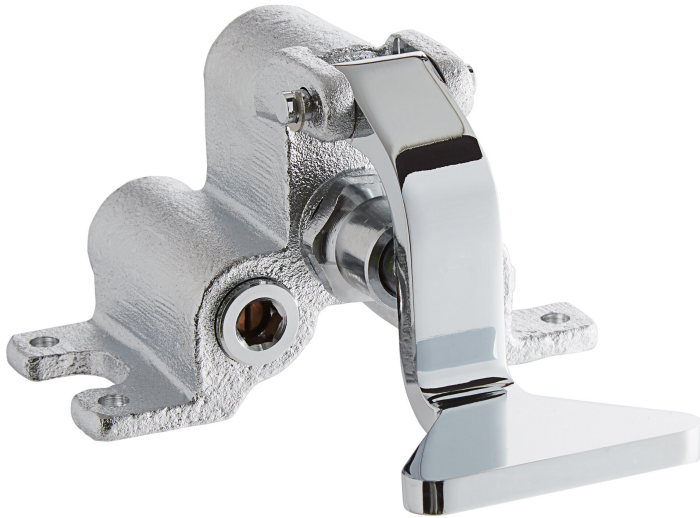




Regency FTPD Foot Pedal Valve

#600FTPD



Technical Data

Type	No Spout
Valve Type	Single Foot Pedal
Water Inlet Size	3/8 Inches

Features

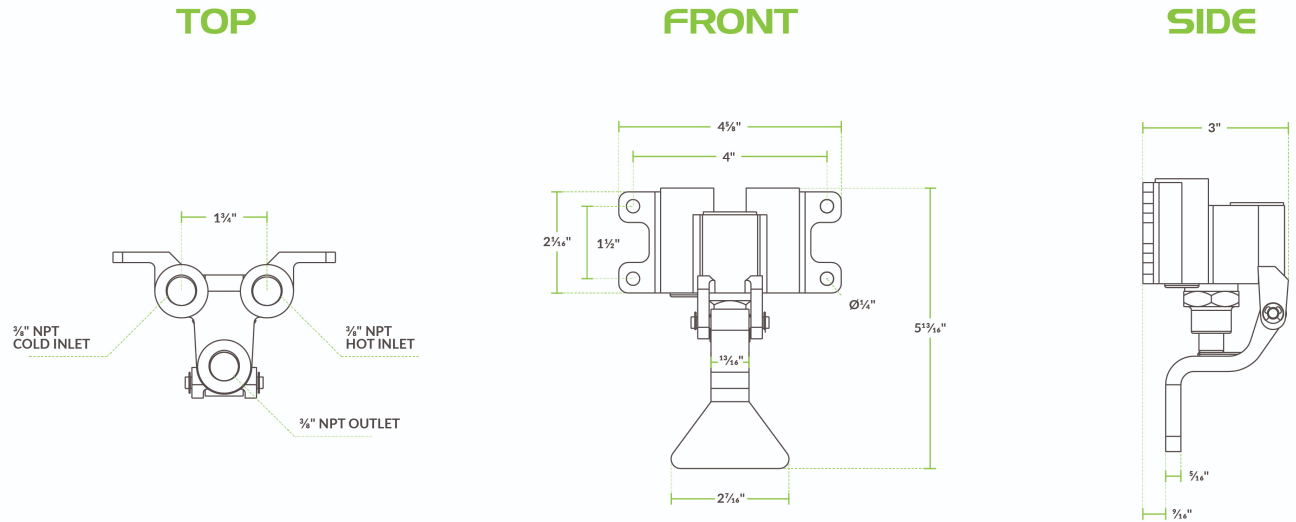
- Direct replacement for original part
- For hands-free sink system
- Prevents cross contamination, the spread of germs, and the dispersion of bacteria
- Keeps kitchens and healthcare facilities sanitary and clean
- 3/8"-18 NPT inlet and outlet
- Easily preset temperature with the front-facing adjustment screw valve

Certifications



3/8" Water Connection

Plan View



Notes & Details

This Regency FTPD foot pedal valve is a direct replacement for the valve that came with your Regency hands-free handwashing sink. By placing it near your sink, this foot pedal valve will allow you to turn the sink water on and off without using your hands. Not only does it help prevent the spread of unwanted germs, it helps you avoid the dispersion of dangerous bacteria.

This valve is incredibly easy to install. The screw on the side allows you to adjust the temperature of the water fed to your faucet, so you can have water as cold or hot as you wish. A necessity in any restaurant or catering kitchen, this foot pedal valve is simple to use. Keep your foodservice or healthcare environment clean and sanitary with this foot pedal valve!

⚠ WARNING: This product can expose you to chemicals including lead, which are known to the State of California to cause cancer, birth defects, or other reproductive harm. For more information, go to www.p65warnings.ca.gov.