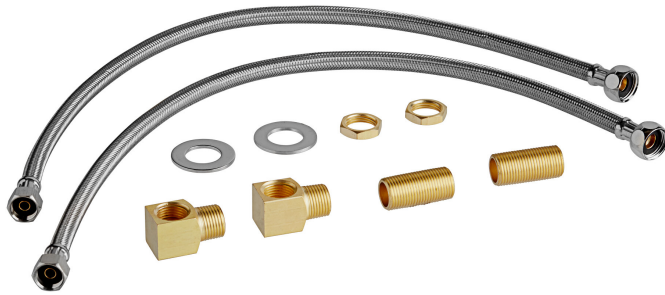




Regency Faucet Installation Kit with 24" Stainless Steel Hoses and 1/2" NPT Connection

#600FIK12NPT24HOSEKIT



Technical Data

Hose Length	24 Inches
Features	California AB100 Compliant NSF/ANSI 372 NSF/ANSI 61
Material	Stainless Steel
Power Type	AC Adapter Battery
Type	Installation Kits Mechanical Parts
Water Inlet Size	1/2 Inches

Features

- Perfect for installing Regency wall-mounted faucets
- Includes 1/2" NPT inlet shanks and elbows
- Includes (2) 24" stainless steel flexible supply hoses; 1/2" NPSM female x 3/8" NPSM female fittings
- Works with all wall mount faucet brands that have 1/2" NPT inlets

Certifications



NSF Listed

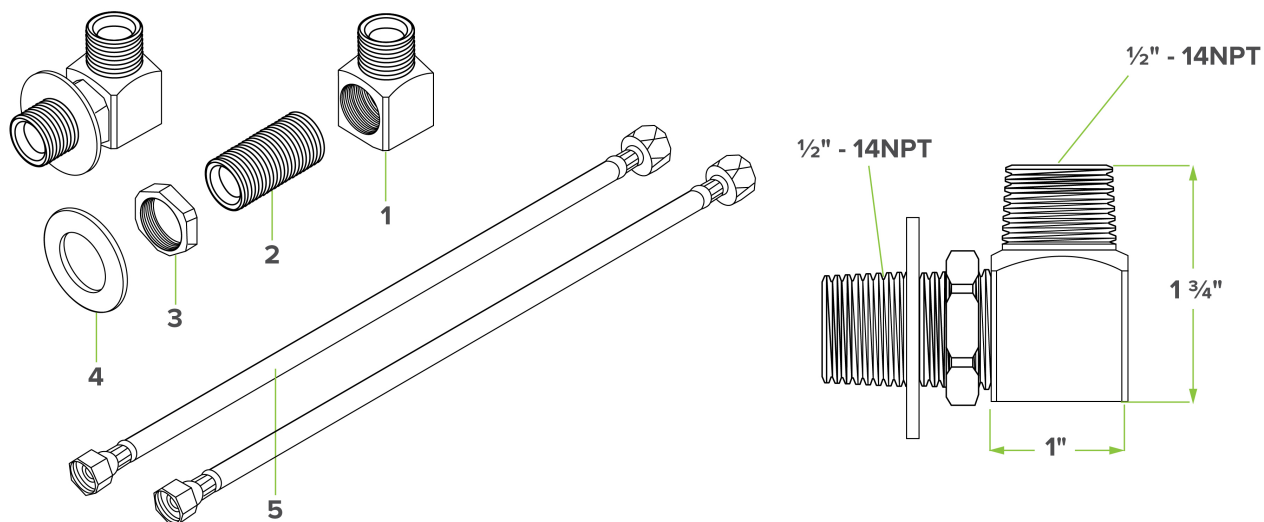


CSA, US and Canada



1/2" Water Connection

Plan View



Notes & Details

This Regency 1/2" NPT inlet kit is the perfect way to install wall-mounted faucets! It contains (2) 24" long flexible supply hoses with a 1/2" NPSM female connection for the elbows, and a 3/8" NPSM female fitting to connect to your building's hot and cold supply lines. Their braided stainless steel construction provides superior strength and helps it to resist punctures and damage. Additionally, the (2) 1/2" NPT inlet shanks and elbows form a 90 degree angle to direct the water flow into the faucet body. This prevents kinks and stress on the supply hose for greater reliability. When installing a new faucet, use a new inlet kit to ensure optimal performance. This kit is perfect for use on Regency wall mount faucets, but will also fit any other wall mounted faucet brand that comes with 1/2" NPT inlets.

Kit Includes:

- (2) Elbows with 1/2" NPT male supply nipples
- (2) 24" stainless steel flexible supply hoses
- (2) Lock nuts and washers
- (2) Short elbows with 1/2" NPT male inlet and 1/2" NPT male outlet

⚠ WARNING: This product can expose you to chemicals including lead, which are known to the State of California to cause cancer, birth defects, or other reproductive harm. For more information, go to www.p65warnings.ca.gov.