



Regency 8" Long Swivel Gooseneck Spout with 2 GPM Aerator

#600FGNZ812



Technical Data

Spout Length	8 Inches
Spout Height	11 13/16 Inches
Features	California AB100 Compliant NSF/ANSI 372 NSF/ANSI 61
Finish	Chrome
Flow Rate	2 GPM
Material	Brass

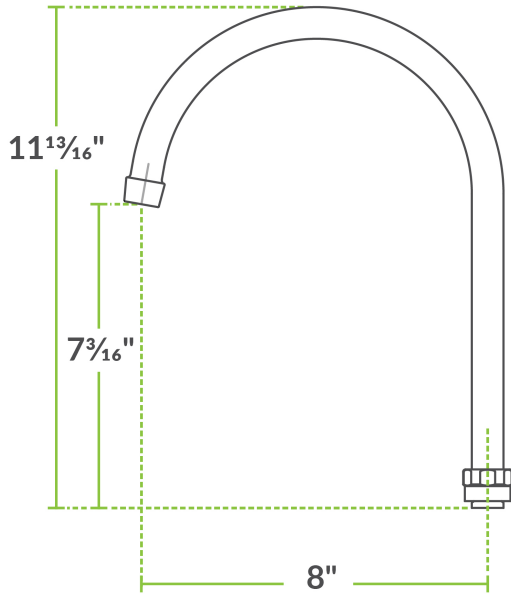
Features

- 8" long x 11 13/16" tall gooseneck spout
- 2 GPM flow rate
- Can be used as a replacement or an upgrade
- Swing design allows it to be moved aside to wash larger cooking vessels
- Swivel nut connection fits most brands

Technical Data

Spout Clearance	7 3/16 Inches
Spout Type	Gooseneck
Type	Nozzles

Plan View



Notes & Details

This Regency 8" long gooseneck spout is perfect for use as a replacement, or you can use it to change the style of an existing faucet. It measures 11 13/16" high with an 8" length, and has a 2 GPM aerator to provide a gentle flow pattern with minimal splashing. Since it features a swing design, you can easily move it out of the way when washing larger cooking vessels. It attaches to the faucet base with a 1/2" NPS connection and is designed for use on Regency faucets as a replacement or an upgrade.

⚠ WARNING: This product can expose you to chemicals including lead, which are known to the State of California to cause cancer, birth defects, or other reproductive harm. For more information, go to www.p65warnings.ca.gov.