



Regency 4" Long Gooseneck Spout with 2 GPM Aerator

#600FGN48LL



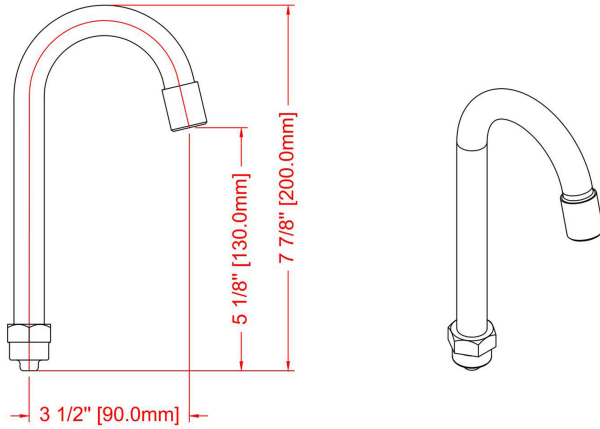
Technical Data

Spout Length	4 Inches
Spout Height	8 Inches
Finish	Chrome
Flow Rate	2 GPM
Material	Brass
Spout Clearance	5 1/8 Inches
Spout Type	Gooseneck
Type	Nozzles

Features

- 4" long x 8" tall gooseneck spout, 2 GPM flow rate
- Can be used as a replacement or an upgrade
- Swivel design is great for filling multi-compartment sinks
- Swivel nut connection fits most brands

Plan View



Notes & Details

This Regency 4" gooseneck spout is perfect for use as a replacement, or you can use it to change the style of an existing faucet. It measures 8" high with a 4" length, and has a 2 GPM aerator to provide a gentle flow pattern with minimal splashing. Since it features a swing design, you can easily move it out of the way when washing larger cooking vessels, or move it to fill multi-bowl sinks. It attaches to the faucet base with a 1/2" NPS connection and is designed for use on Regency faucets as a replacement or an upgrade.

⚠ WARNING: This product can expose you to chemicals including lead, which are known to the State of California to cause cancer, birth defects, or other reproductive harm. For more information, go to www.p65warnings.ca.gov.