



Regency 2 1/4" Dipper Well Faucet

#600FDWLL



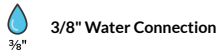
Technical Data

Spout Length	2 1/4 Inches
Faucet Width	1 1/2 Inches
Faucet Height	3 1/4 Inches
Finish	Stainless Steel
Material	Brass Stainless Steel
Temperature Rating	140 Degrees Fahrenheit
Type	Faucets
Water Inlet Size	3/8 Inches

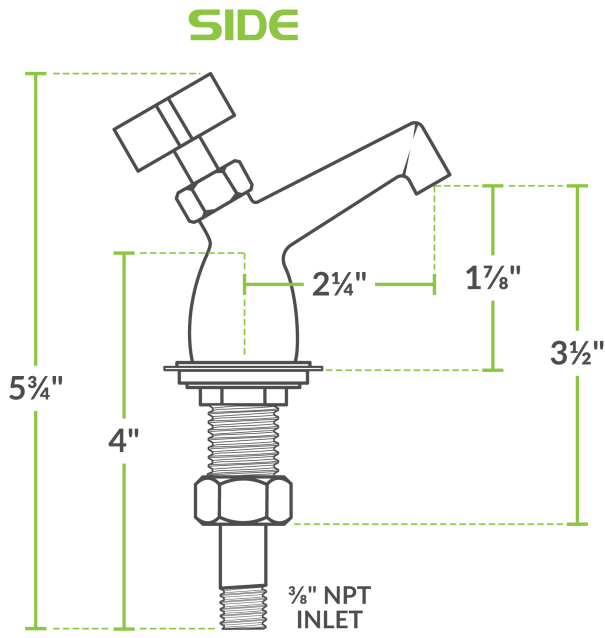
Features

- 140 degree maximum water temperature
- Stainless steel structure
- 3/8" NPT inlet, 1/4" NPT tailpiece

Certifications



Plan View



Notes & Details

Install a convenient and useful water fixture in your business with the Regency 2 1/4" dipper well faucet! This faucet features a stainless steel finish for a sleek appearance and long-lasting durability. Thanks to its 3/8" NPT and 1/4" brass tailpiece, this faucet can quickly install into your existing water lines.

WARNING: This product can expose you to chemicals including lead, which are known to the State of California to cause cancer, birth defects, or other reproductive harm. For more information, go to www.p65warnings.ca.gov.