



Regency Deck-Mounted Faucet with 8" Centers and 18" Double-Jointed Swing Spout

#600FD818DJ



Technical Data

| | |
|----------------|---|
| Spout Length | 18 Inches |
| Faucet Height | 8 9/16 Inches |
| Cartridge Type | Ceramic |
| Faucet Centers | 8 Inches |
| Features | California AB100 Compliant NSF/ANSI 372 NSF/ANSI 61 |
| Finish | Chrome |
| Flow Rate | 2 GPM |
| Handle Type | Lever |

Features

- 18" double-jointed swing spout
- 8" adjustable centers, 1/2" NPS inlets
- Temperature rating 40 - 140 degrees Fahrenheit
- Chrome-plated brass construction
- Leak-resistant quarter-turn ceramic cartridges with check valves

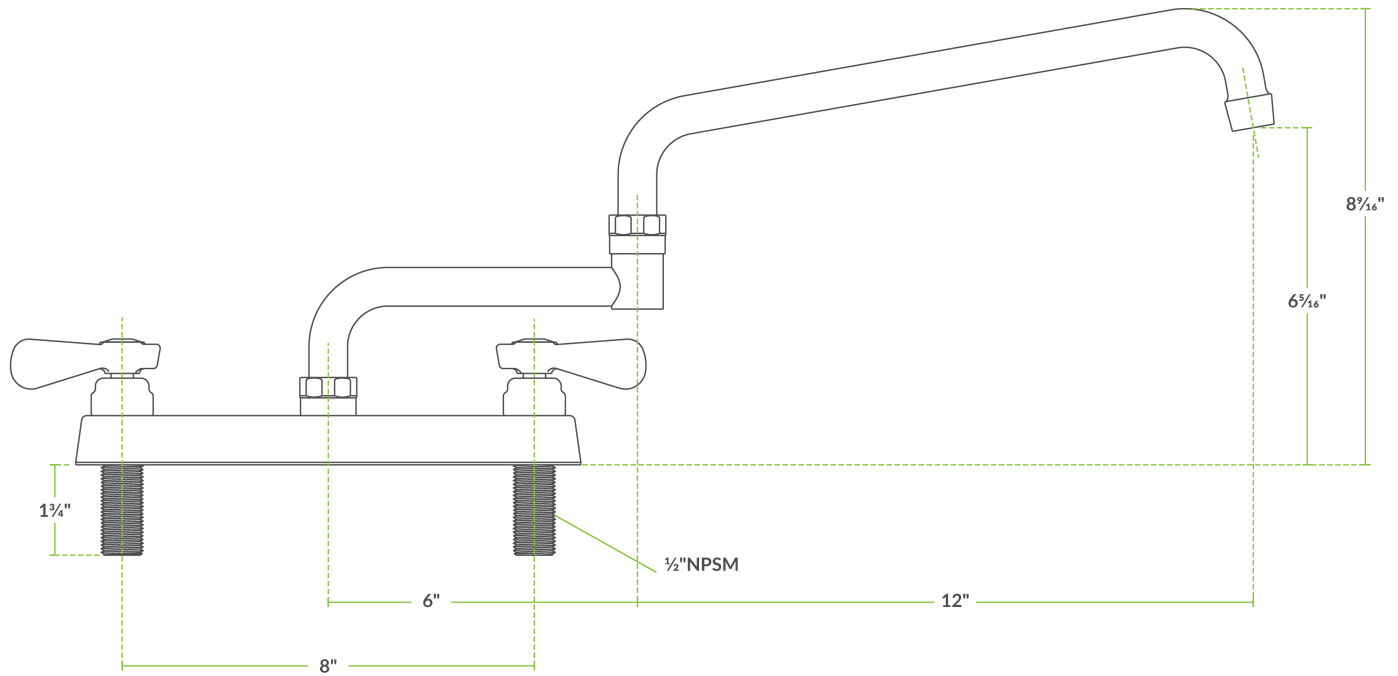
Certifications



Technical Data

| | |
|--------------------|------------------------|
| Material | Brass |
| Mounting Style | Deck Mounted |
| Mounting Type | Workboard |
| Spout Clearance | 6 5/16 Inches |
| Spout Type | Double Jointed |
| Temperature Rating | 140 Degrees Fahrenheit |
| Type | Faucets |
| Water Inlet Size | 1/2 Inches |

Plan View



Notes & Details

This Regency deck-mounted faucet is the perfect solution when you need a dependable water fixture in your facility! Regency faucets provide the industry-leading quality you expect. With a chrome-plated brass faucet body and ceramic cartridges engineered for durability, you can install this model with confidence. This faucet features a double-jointed 18" long swing spout that moves easily around the sink bowl, while a 2 GPM aerator provides a consistent flow rate and minimal splashing. This double-jointed spout also offers additional versatility because you can rotate each section independently, and fold it to the side to make way for especially large or bulky items. It boasts a set of 8" adjustable centers, while the deck-mounted design is easy to install with 1/2" male NPS inlets.

This faucet uses ceramic cartridges, which provide a much lower fail rate than the compression cartridges widely used in the industry. In this design, 2 ceramic discs fit together to create a watertight seal when closed. This removes the need for a rubber seat washer, which is one of the most frequently replaced parts on a faucet. The sturdy lever handle design makes it easy to turn the water flow off and on.

⚠️ WARNING: This product can expose you to chemicals including lead, which are known to the State of California to cause cancer, birth defects, or other reproductive harm. For more information, go to www.p65warnings.ca.gov.