



Regency Deck-Mounted Faucet with 4" Centers and 8" Swivel Gooseneck Spout

#600FD48G



Technical Data

Spout Length	8 Inches
Faucet Height	12 3/8 Inches
Cartridge Type	Ceramic
Faucet Centers	4 Inches
Features	California AB100 Compliant NSF/ANSI 372 NSF/ANSI 61
Finish	Chrome
Flow Rate	2 GPM
Handle Type	Lever

Features

- 8" long gooseneck spout, 2 GPM flow rate
- 4" adjustable centers, 1/2" NPS inlets
- Temperature rating 40 - 140 degrees Fahrenheit
- Chrome-plated brass construction
- Leak-resistant quarter-turn ceramic cartridges with check valves

Certifications



NSF/ANSI 61 & 372



NSF Listed



CSA, US and Canada



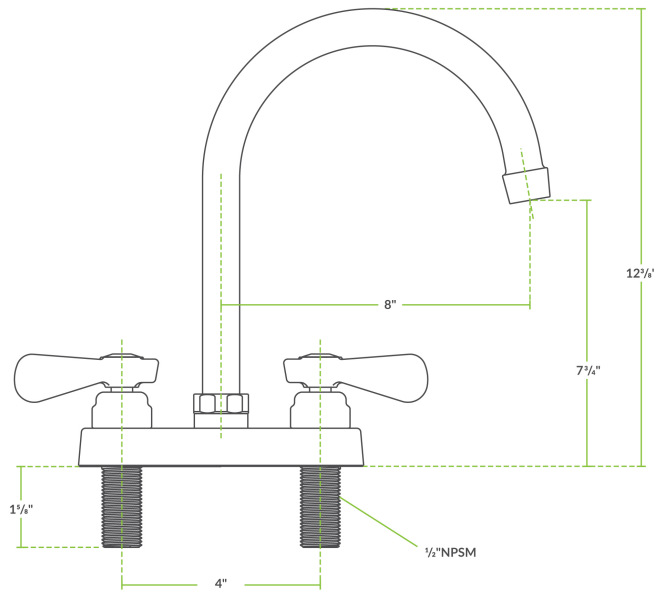
1/2" Water Connection

1/2"

Technical Data

Material	Brass
Mounting Style	Deck Mounted
Mounting Type	Workboard
Spout Clearance	7 11/16 Inches
Spout Type	Gooseneck
Temperature Rating	140 Degrees Fahrenheit
Type	Faucets
Water Inlet Size	1/2 Inches

Plan View



Notes & Details

This Regency deck-mounted faucet is the perfect solution when you need a dependable water fixture in your facility! Regency faucets provide the industry-leading quality you expect. With a chrome-plated brass faucet body and ceramic cartridges engineered for durability, you can install this model with confidence. This faucet features an 8" long swivel gooseneck spout that provides a sleek look with plenty of clearance, while a 2 GPM aerator provides a consistent flow rate and minimal splashing. It boasts a set of 4" adjustable centers, while the deck-mounted design is easy to install with 1/2" male NPS inlets.

This faucet uses ceramic cartridges, which provide a much lower fail rate than the compression cartridges widely used in the industry. In this design, 2 ceramic discs fit together to create a watertight seal when closed. This removes the need for a rubber seat washer, which is one of the most frequently replaced parts on a faucet. The sturdy lever handle design makes it easy to turn the water flow off and on.

⚠ WARNING: This product can expose you to chemicals including lead, which are known to the State of California to cause cancer, birth defects, or other reproductive harm. For more information, go to www.p65warnings.ca.gov.