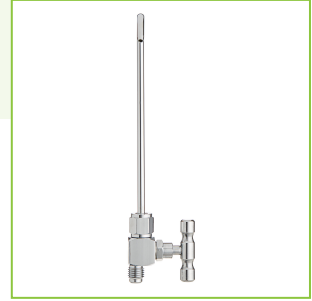




Regency 2" Dipper Well Faucet

#600DWFAUCET



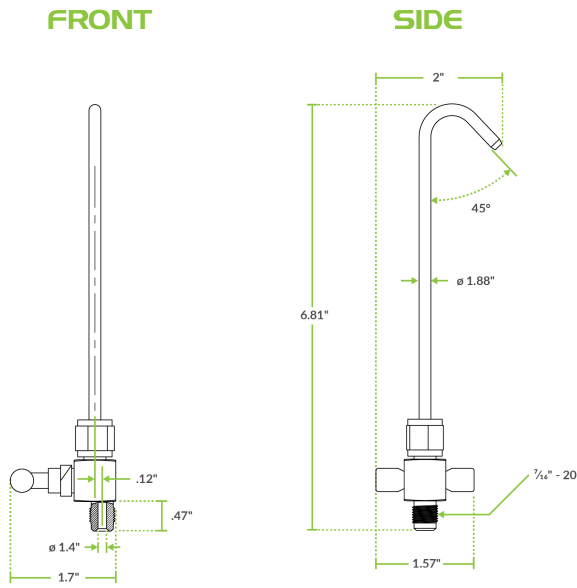
Technical Data

Spout Length	2 Inches
Faucet Width	1 3/4 Inches
Faucet Height	6 13/16 Inches
Finish	Chrome
Material	Brass
Thread Size	7/16-20
Type	Faucets

Features

- 7/16"-24 connection size
- Chrome plated type 304 stainless steel spout
- 2" long, 6 13/16" tall spout

Plan View



Notes & Details

Install a convenient and useful water fixture in your business with the Regency 2" dipper well faucet! This faucet features a fine chrome plated brass finish for a sleek appearance and long-lasting durability. Thanks to its 7/16-24 connection size, this faucet can quickly install into your existing water lines. The faucet is designed to be used with compatible dipper wells.

⚠ WARNING: This product can expose you to chemicals including lead, which are known to the State of California to cause cancer, birth defects, or other reproductive harm. For more information, go to www.p65warnings.ca.gov.