



Regency 15" Ice Cream Dipper Well and Faucet Set

#600DW15



Technical Data

Width	14 3/8 Inches
Depth	5 3/8 Inches
Height	4 1/16 Inches
Spout Length	2 Inches
Faucet Width	1 3/4 Inches
Faucet Height	6 13/16 Inches
Drain Size	1 Inch
Finish	Chrome Stainless Steel
Gauge	18 Gauge

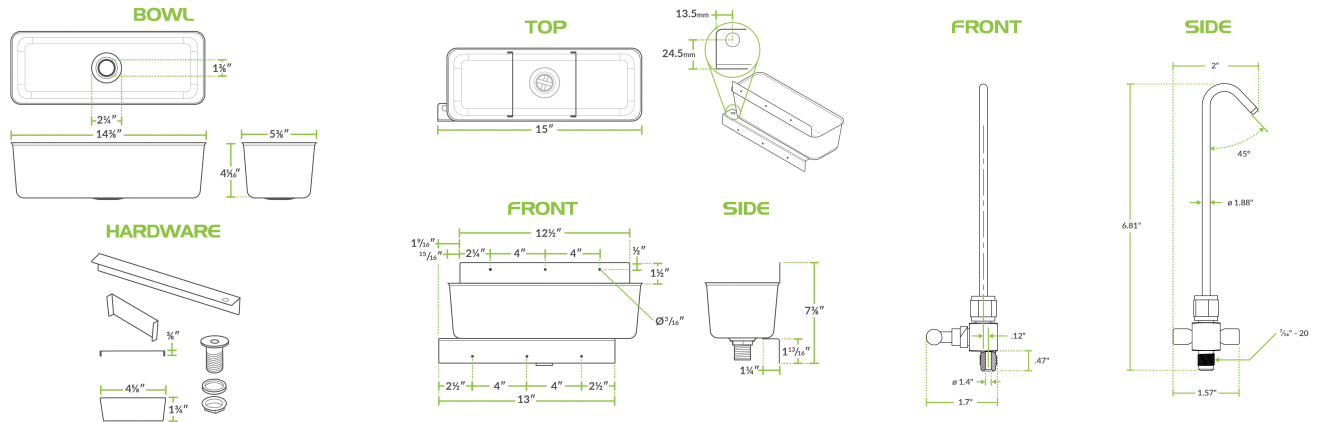
Features

- Made of durable, corrosion-resistant 18 gauge type 304 stainless steel
- Includes a stainless steel bottom mounting angle
- A two welded dividers split the bowl
- Faucet with a 7/16" male inlet included for easy filling
- Comes with a 1" drain and a removable overflow pipe

Technical Data

Installation Type	Side Mounted
Material	Brass Stainless Steel
Stainless Steel Type	Type 304
Type	Bowl and Faucet Sets
Water Inlet Size	7/16 Inches

Plan View



Notes & Details

Keep your ice cream dippers squeaky clean and ready to scoop at all times with this Regency 15" ice cream dipper well and faucet set. This dipper well provides a constant supply of fresh rinse water that helps prevent flavor transfer between ice cream flavors and cross contamination risks. It is made of durable, corrosion-resistant 18 gauge type 304 stainless steel for a long product life. Inside the bowl are two welded dividers to keep your scoops organized.

Thanks to its pre-drilled top mounting panel and the included stainless steel bottom mounting angle, this dipper well attaches easily to the side of your ice cream dipping cabinet. The faucet comes included for easy filling of the dipperwell and to provide a constant flow of fresh rinse water for your ice cream scoops. This model also comes with a 1" drain and a removable overflow pipe to help prevent messy spills and accidents.

⚠ WARNING: This product can expose you to chemicals including lead, which are known to the State of California to cause cancer, birth defects, or other reproductive harm. For more information, go to www.p65warnings.ca.gov.