

STAINLESS STEEL DOUBLE DECK OVERSHELVES

ITEM #: _____ QUANTITY: _____

PROJECT: _____

APPROVAL: _____

DATE: _____

REGENCY
Tables and Sinks



FEATURES

- Made of 18-gauge, type 430 stainless steel
- Strong and durable construction
- Designed for added storage space and organization

SPECIFICATIONS

NSF

ITEM	GAUGE	LENGTH	DEPTH	HEIGHT	UNDER SHELF CAPACITY	TOP SHELF CAPACITY
600DOS1230	18-Gauge	30"	12"	32"	220 LB.	350 LB.
600DOS1236	18-Gauge	36"	12"	32"	220 LB.	350 LB.
600DOS1248	18-Gauge	48"	12"	32"	240 LB.	380 LB.
600DOS1260	18-Gauge	60"	12"	32"	260 LB.	400 LB.
600DOS1272	18-Gauge	72"	12"	32"	280 LB.	420 LB.
600DOS1284	18-Gauge	84"	12"	32"	330 LB.	520 LB.
600DOS1296	18-Gauge	96"	12"	32"	350 LB.	540 LB.
600DOS1830	18-Gauge	30"	18"	32"	260 LB.	500 LB.
600DOS1836	18-Gauge	36"	18"	32"	260 LB.	500 LB.
600DOS1848	18-Gauge	48"	18"	32"	280 lb.	550 LB.
600DOS1860	18-Gauge	60"	18"	32"	300 LB.	580 LB.
600DOS1872	18-Gauge	72"	18"	32"	320 LB.	610 LB.
600DOS1884	18-Gauge	84"	18"	32"	370 LB.	750 LB.
600DOS1896	18-Gauge	96"	18"	32"	390 LB.	780 LB.

07/2019

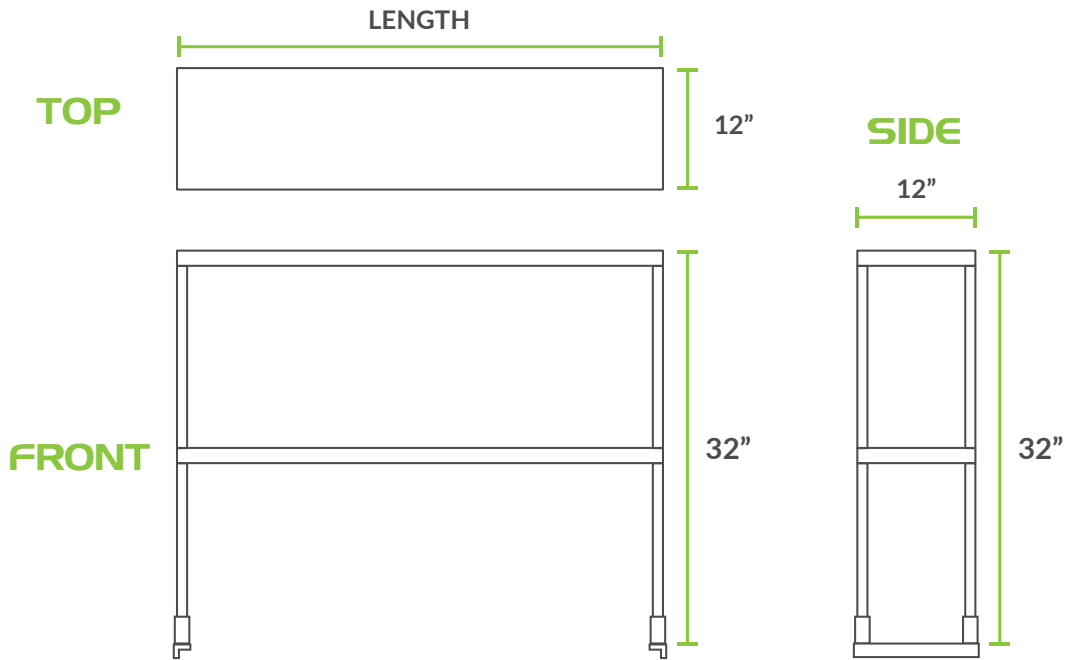
REGENCYTABLESANDSINKS.COM

STAINLESS STEEL DOUBLE DECK OVERSHELVES

REGENCY
Space Solutions

12" DEEP SHELVES

NSF



18" DEEP SHELVES

NSF

