

SELF-CLOSING & MANUAL OPERATION WINDOWS

SINGLE SLIDERS



SC-4040



MAXIMUM SECURITY
LOCKING SYSTEM



SC-4030



STANDARD FEATURES

- Shipped fully-assembled and ready to install
- Warranty backed with Nationwide Service Centers
- 1/4" clear tempered safety glass and IF units include 1" insulated sealed units
- Weather resistant and sealed to protect from the elements
- Dark bronze or clear anodized aluminum
- Corrosion resistant material: anodized aluminum and #304-#3 finish stainless steel
- Security locking systems
- Maximum security hook-bolt locks
- Automatically lock when unit is closed
- Right or left hand units

OPTIONAL FEATURES

- Custom colors available
- Reduced service openings for areas requiring 432 sq. inches
- Custom transoms and overall window sizes
- Various glazing options (B/R, Insulated, Tinted, etc)

MODEL SC-4040, IFSC-4040, SC-4030, IFSC-4030, SC-3030, IFSC-3030

Self-closing horizontal sliders meet all health code requirements. These self-closing units are mounted flush to the exterior wall. By simply releasing the window after serving the customer, the door panel closes automatically. With an offset in the base, and gliding on a top-hung ball bearing system, these sliders are the smoothest windows on the market. All IFSC Models are fully glazed with 5/8" insulated glass.

Service Opening: 4040's: 20-1/4"(w) x 41"(h)

4030's: 20-1/4"(w) x 29"(h)

3030's: 14-1/2" (w) x 29"(h)

MAXIMUM SECURITY LOCKING SYSTEM

Each Quikserv single-sliding window offers a heavy duty maximum security lock. This hook bolt lock helps to prevent outside intrusion. An easy to grasp thumb-turn allows for ease in operation while locking the unit.



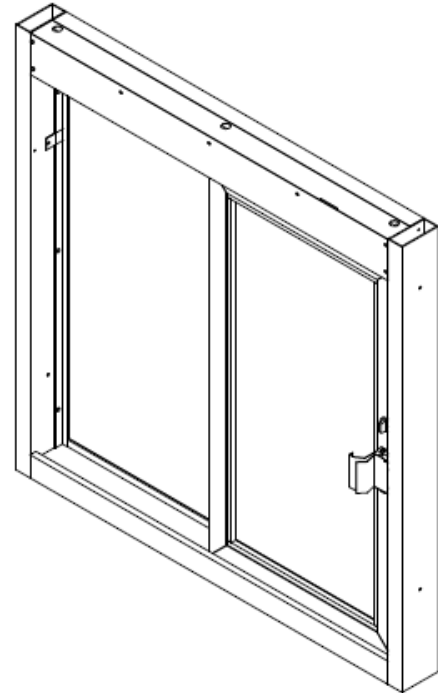
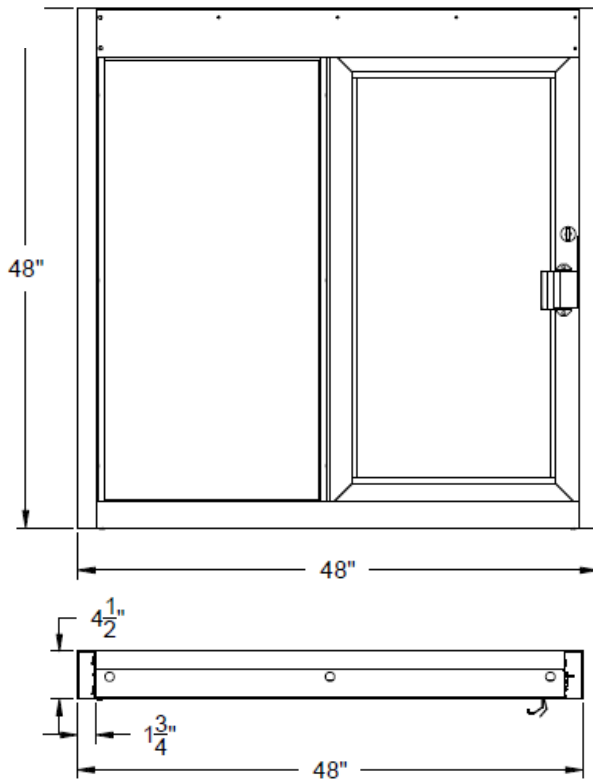
MODEL SC-4040, IFSC-4040, SC-4030, IFSC-4030, SC-3030, IFSC-3030, SC-4030-LP
ROUGH OPENING

4040 Models: 48-3/8"(w) x 48-3/8"(h)

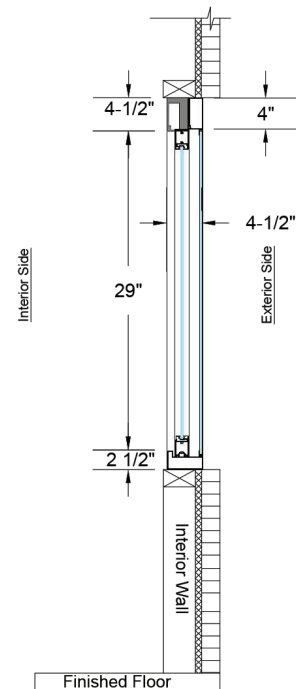
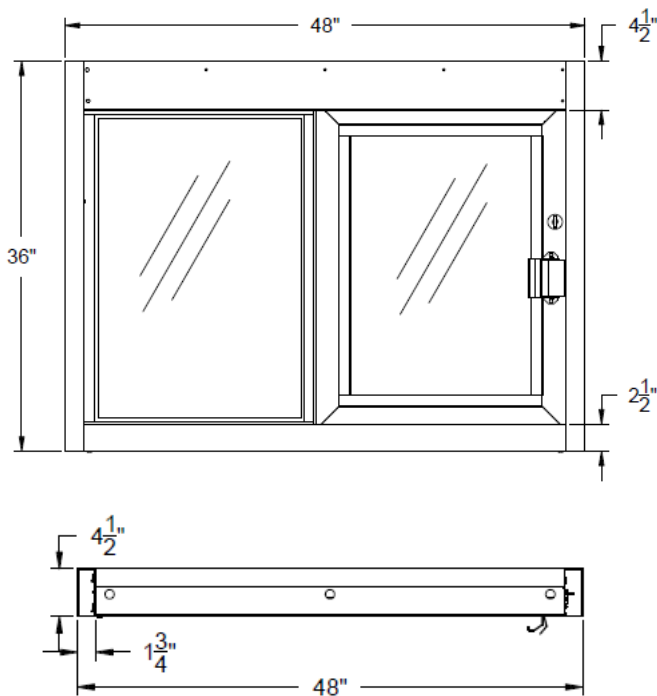
4030 Models: 48-3/8"(w) x 36-3/8"(h)

3030 Models: 36-3/8"(w) x 36-3/8"(h)

SC-4040



SC-4030



ALL QUIKSERV PRODUCTS ARE SHIPPED FULLY-ASSEMBLED and READY TO INSTALL. EACH ELECTRICAL UNIT IS SHIPPED WITH A FOUR FOOT (4') BX DROP.