

FULLY-AUTOMATIC WINDOWS

SINGLE SLIDING



SST-4035E



SS-4035E



SS-36E



THRU-BEAM PHOTO-ELECTRIC EYE-BAR

STANDARD FEATURES

- Shipped fully-assembled and ready to install
- Warranty backed with Nationwide Service Centers
- 1/4" clear tempered safety glass
- Weather resistant and sealed to protect from the elements
- Dark bronze or clear anodized aluminum
- Corrosion resistant material: anodized aluminum and #304-#3 finish stainless steel
- Security locking systems
- Easy manual operation upon power failure
- Maximum security hook-bolt locks
- ETL Listed
- Right or left hand units
- Thru Beam Sensor

OPTIONAL FEATURES

- Custom colors available
- Reduced service openings for areas requiring 432 sq. inches
- Custom transoms and overall window sizes
- Various glazing options (B/R, Insulated, Tinted, etc)
- Electric Auto Locks
- Constructed with high visibility bullet resistant materials (Level 1)
- Night-time security lock bar
- Push button operation

MODEL SST-4035E & IFSST-4035E

This flush-mount fully-automatic single slider glides smoothly on a top-hung slide rail system. The unit is either right or left handed depending on your needs. An offset in the base prevents outside intrusion and repels water from entering into your establishment. The photo-electric eye-bar is available for all electric sliders. IF units are fully glazed with 5/8" insulated glass.

Service Opening: SS-4035E 20-3/4"(w) x 29"(h)

SS-4538E 18"(w) x 26"(h)

SS-36E 14-1/2"(w) x 29"(h)

THRU-BEAM PHOTO-ELECTRIC EYE-BAR

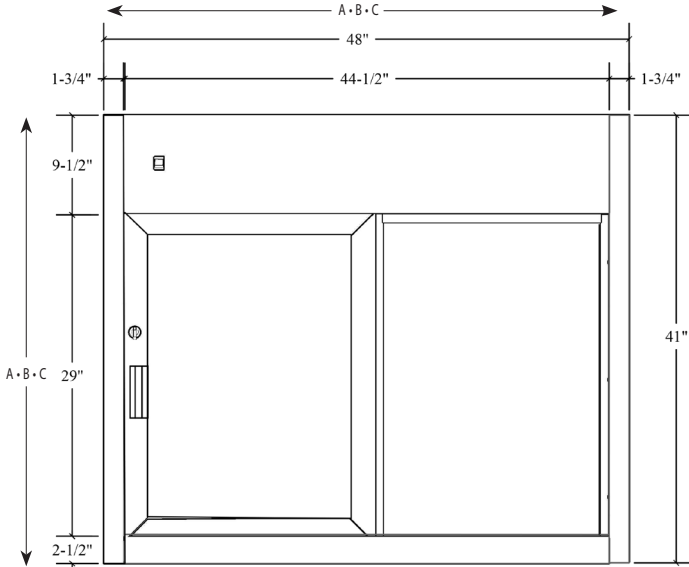
Activated when the attendant stands between the emitter and receiver. Available on all electric sliders and is best used where there is limited space or tighter working conditions.



MODEL SS-4035E / IF-4035E / SS-4538E / IF-4538E

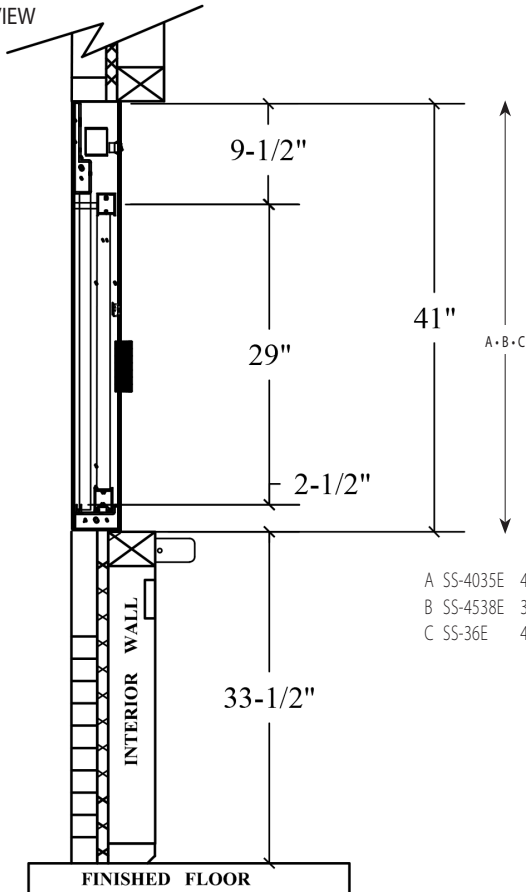
ROUGH OPENING: SS-4035E 48-3/8"(w) x 41-3/8"(h)
 SS-4538E 45-7/8"(w) x 38-3/8"(h)
 SS-36E 36-3/8"(w) x 41-3/8"(h)
 SERVICE OPENING: SS-4035E 20-3/4"(w) x 29"(h)
 SS-4538E 18"(w) x 26"(h)
 SS-36E 14-1/2"(w) x 29"(h)

MAIN VIEW



A SS-4035E 48"(w) X 41"(h)
 B SS-4538E 45-1/2"(w) X 38"(h)
 C SS-36E 36"(w) X 41"(h)

SIDE VIEW

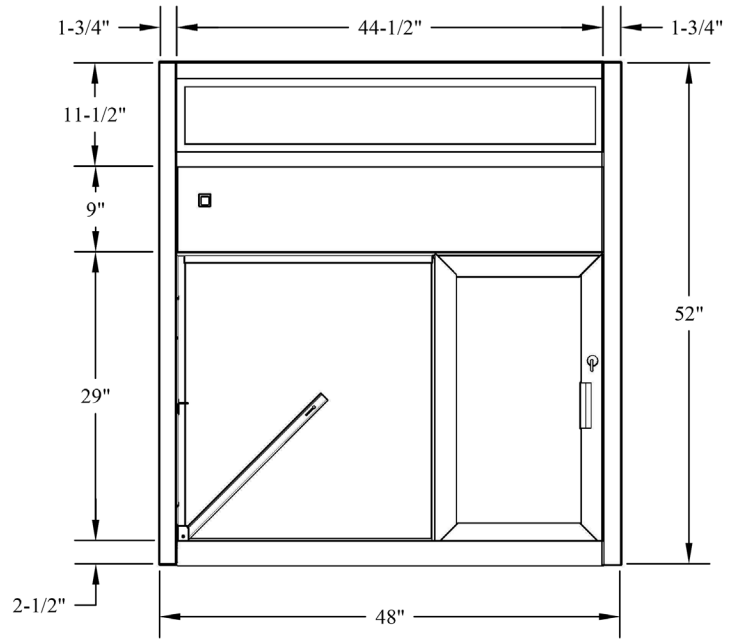


A SS-4035E 41"(h)
 B SS-4538E 38"(h)
 C SS-36E 41"(h)

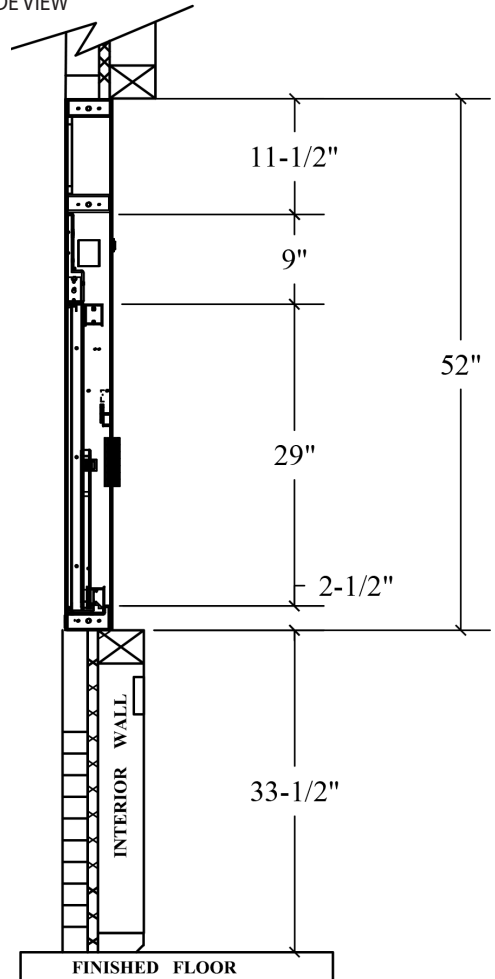
MODEL SST-4035E / IFSST-4035E

ROUGH OPENING: 48-3/8"(W) X 52-3/8"(H)
 SERVICE OPENING: 20-3/4"(W) X 29"(H)
 RESTRICTED OPENING: 15"(W) X 29"(H)

MAIN VIEW



SIDE VIEW



ALL QUIKSERV PRODUCTS ARE SHIPPED FULLY-ASSEMBLED and READY TO INSTALL. EACH ELECTRICAL UNIT IS SHIPPED WITH A FOUR FOOT (4') BX DROP.