



Project _____
 Item _____
 Quantity _____
 CSI Section 11400
 Approval _____
 Date _____

NOBLE HT-180

NOBLE HT-180



Standard Features

- Multi-cycle timer (Extra Heavy, Heavy, Medium, Normal)
- Specially designed stainless steel nozzles provide superior cleaning action
- Built-in 70 °F (38.9 °C) rise booster heater with Sani-Sure™ final rinse system
- 17-1/4" (438 mm) door opening accepts 18" (457 mm) trays
- Interchangeable wash/rinse arms screw out for simple cleanup
- Automatic tank fill
- Door actuated switch
- Delime/manual wash switch
- Vent fan control shuts vent fan off when machine is idle
- Low watt density electric wash tank heater
- Hi-limit thermostat and low water protection
- Top mounted controls for ease of operation
- Adjustable bullet feet
- Uses standard 20" X 20" (508 mm X 508 mm) racks
- Front dress panel
- Detergent/rinse additive signal connection fuse box
- Self-draining stainless steel pump
- Large scrap basket

Mandatory Specs

Specify voltage _____

Options

- 480V Electrical
- Single Phase
- Drain Water Tempering Kit
- Scaltrol
- Water Hammer Arrestor
- Pressure Regulator
- Flanged Feet
- False Panel (for corner installations, kit required)
- Door Interlock

Accessories

- 36-Compartment Rack
 - 4-1/8" tall (105 mm)
 - 5-5/8" tall (143 mm)
 - 7" tall (178 mm)
- Combination Rack
- Peg Rack

Specifications

- Uses 0.89 gallons (3.37 liters) of water per rack
- Total automatic (normal) cycle - 57 seconds
- 63 (58)* racks per hour (normal) cycle
- 1 hp wash pump motor
- Single point connections for all utilities
- Field convertible from straight through to corner and vice versa (kit required)
- Field convertible from 3-phase to single-phase and vice versa (kit required)
- Durable stainless steel construction



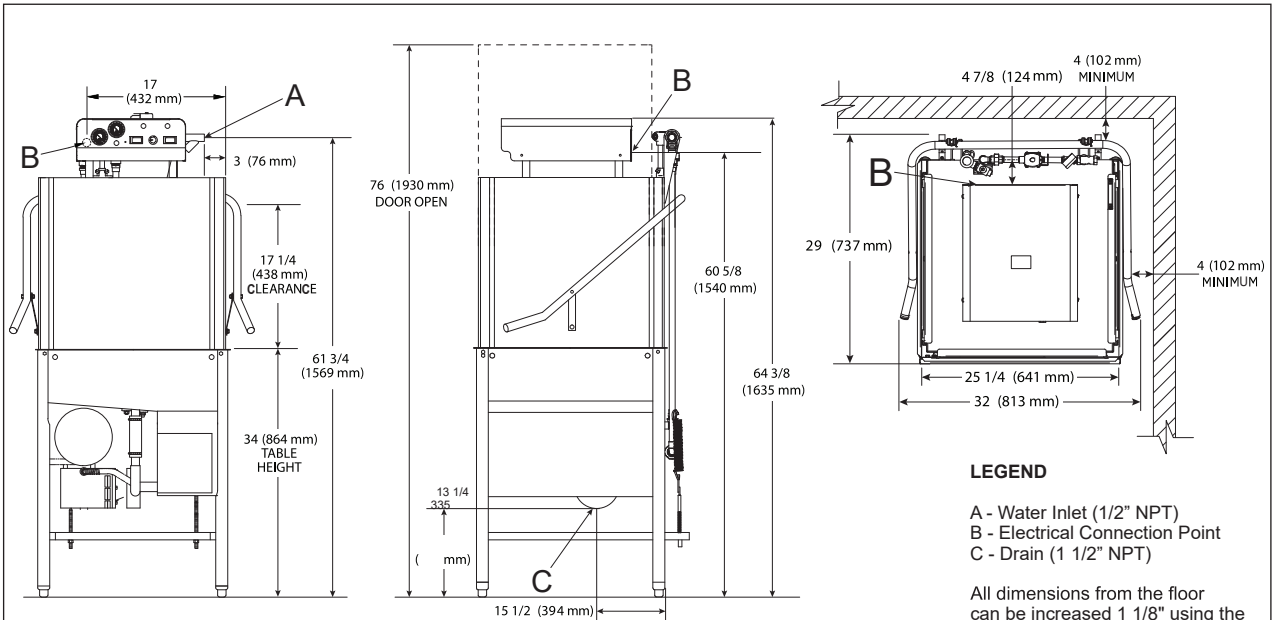
Intertek



Intertek



*Racks per hour calculated with NSF suggested load time of five (5) seconds for door-type (straight thru)



MODEL NO.	MACHINE DIMENSIONS				DRAIN HEIGHT	SHIPPING INFORMATION					
	HEIGHT	WIDTH	WIDTH BETWEEN TABLES	DEPTH		WEIGHT	CLASS	CUBE	HEIGHT	WIDTH	DEPTH
NOBLE HT-180	64-3/8" (1635 mm)	32" (813 mm)	25-1/4" (641 mm)	29" (737 mm)	13-1/4" (335 mm)	263 lbs (120 kg)	200	58.15 cu. ft.	72.5" (1842 mm)	33" (839 mm)	42" (1067 mm)

DIMENSIONS	
Wall Clearance (minimum)	4" (102 mm)
Standard Table Height	34" (864 mm)
Inside Clearance	17-1/4" (438 mm)
Machine Height with Door Open	76" (1933 mm)

OPERATING CAPACITY					
Cycle/Racks per Hour	Normal 63 (58)*	Medium 29 (30)*	Heavy 20 (19)*	Extra Heavy 12 (11)*	
OPERATING CYCLE (seconds)	Wash	Rinse	Dwell	Total Cycle	
Normal	40	10	7	57	
Medium	100	10	7	117	
Heavy	160	10	7	177	
Extra Heavy	280	10	7	297	

OPERATING TEMPERATURES	
Wash (minimum)	150 °F (66 °C)
Rinse (minimum)	180 °F (82 °C)

WATER	
Inlet Temperature	
70 °F (38.9 °C) Rise	110 °F (43 °C)
No Booster	180 °F (82 °C)
Gallons per Rack	0.89 gal (3.37 L)
Gallons per Hour	56.07 gal (212.25 L)
Gallons per Hour**	51.62 gal (195.40 L)
Waterline Size IPS (minimum)	1/2"
Drainline Size IPS (minimum)	1- 1/2"
Flow Pressure (PSI)	10 ± 2
Wash Tank Capacity	8 gal (30.28 L)
Rinse Tank Capacity	2 gal (7.57 L)

ELECTRICAL				
	Power Supply	Total Load	Minimum Circuit Ampacity	Maximum Overcurrent Protection
With 70 °F Rise Booster	208/60/3	45.6 A	46.8 A	50 A
	230/60/3	49.8 A	51.1 A	55 A
	460/60/3	23.7 A	24.0 A	25 A
	208/60/1	75.2 A	76.5 A	80 A
With No Booster	230/60/1	82.7 A	83.9 A	85 A
	208/60/3	16.4 A	17.6 A	20 A
	230/60/3	17.6 A	18.8 A	20 A
	460/60/3	7.5 A	7.8 A	15 A
	208/60/1	24.7 A	25.9 A	30 A
230/60/1	26.8 A	28.0 A	30 A	

WASH PUMP MOTOR	
208V/230V	1 hp
460V	3/4 hp

HEATERS		
Voltage	Electric Wash Tank Heater	Electric Rinse Tank Heater 70 °F (38.9 °C) Rise
208	4.1kW	10.5kW
230	5.0kW	12.9kW
460	5.0kW	12.9kW

*Racks per hour calculated with NSF suggested load time of five (5) seconds for door-type (straight thru)
 **Gallons per hour calculated with NSF suggested load time of five (5) seconds for door-type (straight thru)

HOW TO SPECIFY: NOBLE HT-180