



Item # \_\_\_\_\_

Job \_\_\_\_\_



# Metro C5 3 Series Insulation Armour™ Heated Holding and Proofing Cabinets

- **Insulation Armour™:** Patented insulation technology retains heat, saves energy, and provides a cool-to-touch exterior. Durable polymer construction is dent, impact, and stain resistant. Molded-in hand holds create vertical handles for mobile applications.
- **Colors:** Insulation Armour is available in Red, Blue, or Gray standard and in other colors on a promotional basis or upon request.
- **Control:** Three modules are available: Holding, Moisture, and Combination Proof and Hold. All feature an easy-to-read digital thermometer, recessed control dials, a master on/off switch, and power indicator lights. All are removable without tools for easy cleaning, and allow for future upgrades without replacing entire cabinet body.
- **Performance:** All modules provide fast heat-up and recovery through a thermostatically controlled, forced convection system.
- **Sizes:** C5 3 Series cabinets are available in Full Height (71", 1803mm), ¾ Height (59", 1499mm), and ½ Height (44", 1118mm) sizes.
- **Doors:** Solid insulated aluminum or clear polycarbonate doors are available. Full Height cabinets can be configured with full length or dutch-style doors. Clear doors provide visibility of the contents of the cabinet without the heat loss associated with opening the door.
- **Capacity:** Three slide styles provide maximum holding capacity. Choose from Universal Wire, Lip Load, or Fixed Wire.
- **Reliability:** Reliability and durability are designed into every C5. High-quality components provide a long life of worry free use.
- **Power Options:** Choose between standard high wattage or low wattage models based on the specific needs of the application.



Red Full Height Dutch Clear Doors



Blue ½ Height Full Solid Door

Gray ¾ Height Full Clear Door

Red Full Height Dutch Solid Doors

Blue Full Height Full Clear Door

C5 3 Series Insulation Armour™ Heated Holding and Proofing Cabinets

13-93



### 3 Series Removable Control Modules

- **Holding Module:** Hot holding at higher temperatures without moisture control.
- **Moisture Module:** Hot holding and proofing. Moisture control at any temperature.
- **Combination Module:** Hot holding and proofing. Moisture control at lower temperatures (proofing).



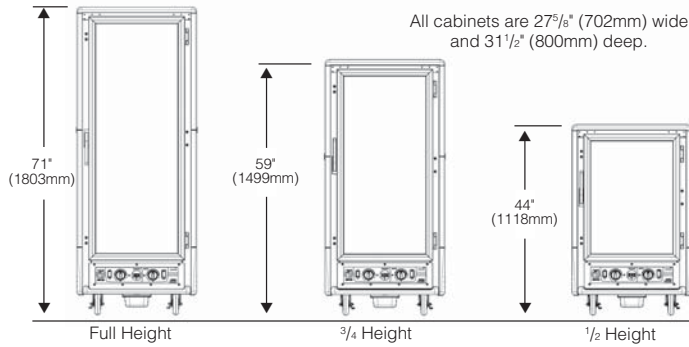
InterMetro Industries Corporation  
North Washington Street  
Wilkes-Barre, PA 18705  
www.metro.com





# C5 3 Series Insulation Armour™ Heated Holding and Proofing Cabinets

## Specifications



- Cabinet Material:** .063" (1.8mm) aluminum, natural interior with .125" (3.2mm) aluminum chassis.
  - Insulation Armour™:** High Density Polyethylene (HDPE).
  - Casters:** Four casters with 5" (127mm) donut neoprene wheel, double ball bearing swivel, ball bearing axel, nickel plated, two with brake.
  - Solid Doors:** Fully insulated with 1" (25.4mm) fiberglass, double panel .063" (1.8mm) aluminum, brushed exterior, natural interior.
  - Clear Doors:** Extruded aluminum powder coated frame with .090" (2.3mm) polycarbonate window.
  - Hinges:** Field reversible, double hinged, 180° swing, with long-life nylon bearings.
  - Gaskets:** High temperature, door mounted, Santoprene gaskets.
  - Latches:** Polymer high-strength magnetic pull latch with lever-action release.
  - Hand Holds:** Molded into the Insulation Armour™ on all four corners.
  - Universal Slides:** 1/4" (6.4mm) dia. nickel-chrome electroplated wire, adjustable on 1 1/2" (38mm) increments.
  - Lip Load Slides:** 1 1/2"x1/2"x.063" (38x38x1.8mm) extruded aluminum channel slides, 1 1/2" (38mm) fixed spacing.
  - Fixed Wire Slides:** 1/4" (6.4mm) dia. nickel-chrome electroplated wire, welded on 3" (76mm) spacing.
  - Drip Trough:** Smooth polymer drip trough with catch pan.
  - Holding Modules:** Removable without tools, digital thermometer, recessed control dials, master on/off switch, "Power On" light, water pan, ball bearing blower forced air system, 7 1/2' cord, UL, CUL, and NSF Listed.
- Electrical and Performance:**
- Holding Module:** 2000 Watt, 120 Volts, 60 Hz., single phase, 16.7 Amps. 80°F to 200°F operating temperature range. NEMA 5-20P plug.
  - Moisture Module:** 2000 Watt, 120 Volts, 60 Hz., single phase, 16.7 Amps. 80°F to 200°F operating temperature range. 35% RH at 160°F, 95% RH at 95°F. NEMA 5-20P plug.
  - Proofing Module:** 1440 Watt, 120 Volts, 60 Hz., single phase, 12 Amps. 80°F to 120°F operating temperature range. 95% RH at 95°F. NEMA 5-15P plug.
  - Combination Module:** 2000 Watt, 120 Volts, 60 Hz., single phase, 16.7 Amps. 80°F to 200°F operating temperature range. 95% RH at 95°F. NEMA 5-20P plug.
- Clearance Requirements:** 18" (46cm) away from any cooking equipment. AVOID contact with surfaces that exceed 200°F (90°C). Minimum clearance from enclosures is 1 1/2" (38mm) on sides, back and top.
  - Slide Capacities:**

Cabinet Size	Universal Wire Pan Capacity**		Lip Load Pan Capacity		Fixed Wire Pan Capacity	
	Provided	Max.*	18"x26"	12"x20"x2.5" GN 1/1	18"x26"	12"x20"x2.5" GN 1/1
Full Height	18	37	18	34	35	34
Full Height Dutch	18	35	17	32	34	32
3/4 Height	14	29	14	26	27	26
1/2 Height	8	17	8	16	17	16

\*Maximum number of slide pairs @ 1 1/2" spacing. Additional slide pairs ordered separately.  
\*\*Capacity based on standard number of slide pairs provided.

Cabinet Height  
9 = Full Height  
7 = 3/4 Height  
5 = 1/2 Height

Module Type  
C = Combination  
M = Moisture  
H = Heated Holding

Slide Type  
U = Universal Wire  
4 = Fixed Wire  
L = Lip Load Aluminum

**C539-CDC-U**



For Standard Wattage Cabinets  
(120V, 16A, 60Hz, 2000W)

Door Style  
FS = Full Length Solid DS = Dutch Solid \*  
FC = Full Length Clear DC = Dutch Clear \*

\*Please note: Dutch doors only available on full-height models.  
Cabinets ordered without a color designation default to Red.

### Low Watt Model Number Description

**C539-CLDC-U**



Add "L" for Lower Wattage Combination or Holding Module Cabinets  
(120V, 12A, 60Hz, 1440W)

### Export Model Number Description

**C539-CXDC-U**



Add "X" for Export Cabinets  
(220-240V, 7.6-8.3A, 50/60Hz, 1681-2000W)

### Blue or Gray Model Description

**C539-CDC-U-BU**

\*\* Cabinets ordered without a color designation default to Red.

Color \*\*  
No Suffix = Red  
BU = Blue  
GY = Gray

### Models with Accessories or Options

**C539-CDC-UA**  
**C539-CDC-U-BUA**

An "A" suffix indicates that accessories need to be factory assembled to the cabinet. Order accessories separately.

### Options/Accessories\*

- Small Item Shelf (C5-SHELF)
- Stainless Steel Legs (C5-SSLEGS)
- Universal Slide Pair, Chrome (C5-USLIDECPR)
- 6" Casters (C5-6CASTER)
- Rear Rigid Casters (C5-5RDGCSTR)
- Travel Latch (C5-TRVL)
- Flush Door Latch (C5-LATCHFLUSH-1)\*
- Straight Plug, 20 Amp, 120V (C5-STRPLG-20)
- Straight Plug, 15 Amp, 120V (C5-STRPLG-15)
- Factory Left-Hand Hinging (DD3768)
- Stainless Steel Universal Slides (please call)

\*Please note: (2) handles required for dutch door models

Metro Heated cabinets are for hot food holding applications only.

All Metro Catalog Sheets are available on our Web Site: [www.metro.com](http://www.metro.com)



### InterMetro Industries Corporation

North Washington Street, Wilkes-Barre, PA 18705  
Phone: 570-825-2741  
Fax: 570-825-2852

For Product Information:  
U.S. and Canada: 1.800.992.1776  
Outside U.S. and Canada: [www.metro.com/contactus](http://www.metro.com/contactus)

L03-270  
Printed in U.S.A. Rev. 10/11

Information and specifications are subject to change without notice. Please confirm at time of order.

Copyright © 2011 InterMetro Industries Corp.

