



## Lancaster Table & Seating 6' Round Pewter Gray Push Lift Black Steel Umbrella

#427UMSRB06PG

Item #: 427UMSRB06PG Qty: \_\_\_\_\_  
 Project: \_\_\_\_\_  
 Approval: \_\_\_\_\_ Date: \_\_\_\_\_

### Technical Data

Height	85 Inches
Diameter	6 Feet
Umbrella Pole Diameter	1 1/2 Inches
Color	Gray
Fabric Weight	230 GSM
Features	Fade Resistant Powder Coated Frame UV50+ Sun Protection Water Resistant
Frame Material	Steel

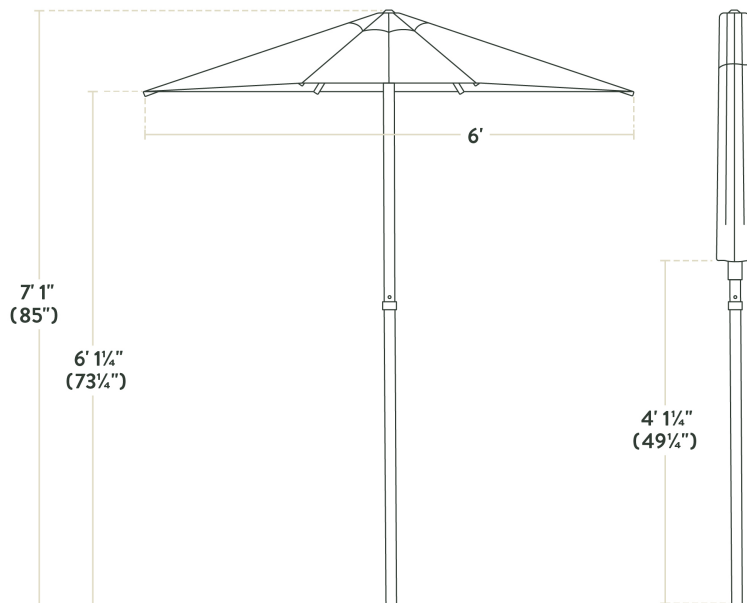
### Features

- Ideal for expanding outdoor seating at restaurants, parties, and events
- Durable, powder-coated steel frame is safe for outdoor use
- Solution-dyed polyester fabric is water-resistant
- Fade-resistant canopy boasts UV50+ sun protection
- Easy-to-use push lift design

## Technical Data

Lift Type	Push
Material	Solution Dyed Polyester
Pole Color	Black
Shape	Round
Type	Umbrellas

## Plan View



Steel Round Umbrella - 6'

## Notes & Details

Enjoy the outdoors under the pleasant shade of this Lancaster Table & Seating 6' pewter gray push lift steel umbrella! This umbrella's 6' span is perfect for shading a table from the sun. Expand your outdoor seating with ease and ensure your guests are comfortable and protected thanks to its reliable design. Its easy-to-use push lift mechanism makes it easy to open during the day, close after hours or during inclement weather, and store in the off-season!

A single vent in this breathable canopy allows air flow to increase stability. The fabric is fade-resistant and has UV50+ sun protection to last for 1-2 years. It's made of water-resistant 230 GSM, solution-dyed polyester fabric. This umbrella also repels dirt and is easy to clean. Plus, its pewter gray color is sure to add a classic look to any space, making it perfect for parties, picnics, or other catering events.

This umbrella's black powder-coated steel frame is built to withstand consistent use in your establishment. Since it's easy to maneuver, you can conveniently relocate it to anywhere you need shade, making it a versatile choice for a variety of outdoor layouts. The included ties keep the umbrella closed for easy storage. Its 1 1/2" pole diameter makes it compatible with select umbrella bases (sold separately), and you can prolong the life of your canopy with a compatible umbrella cover (sold separately). Reach for this Lancaster Table & Seating umbrella to enhance your outdoor space and keep guests happy and comfortable.

**⚠️ WARNING:** This product can expose you to chemicals including lead, which are known to the State of California to cause cancer, birth defects, or other reproductive harm. For more information, go to [www.p65warnings.ca.gov](http://www.p65warnings.ca.gov).