



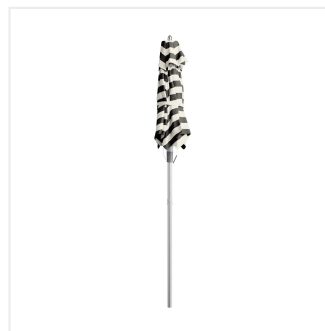
Lancaster Table & Seating 6' Round Black and White Stripe Push Lift Silver Aluminum Umbrella

#427UMARS06BW

Item #: 427UMARS06BW Qty: _____

Project: _____

Approval: _____ Date: _____



Features

- Ideal for expanding outdoor seating at restaurants, parties, and events
- Durable, powder-coated aluminum frame is safe for outdoor use
- Solution-dyed acrylic fabric is water-resistant
- Fade-resistant canopy boasts UV50+ sun protection
- Easy-to-use push lift design

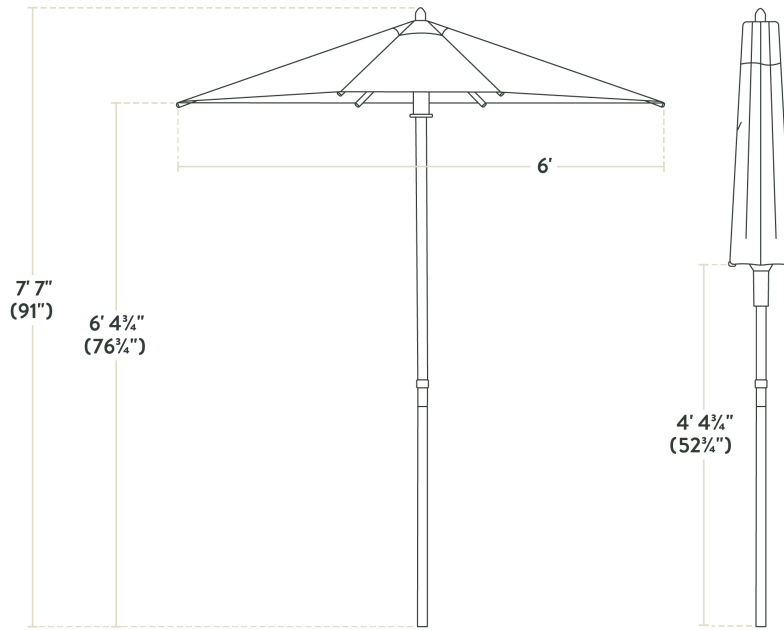
Technical Data

Height	91 Inches
Diameter	6 Feet
Umbrella Pole Diameter	1 1/2 Inches
Color	Black White
Fabric Weight	260 GSM
Features	Fade Resistant Powder Coated Frame UV50+ Sun Protection Water Resistant

Technical Data

Frame Material	Aluminum
Lift Type	Push
Material	Solution Dyed Acrylic
Pole Color	Silver
Shape	Round
Type	Umbrellas

Plan View



Aluminum Round Umbrella - 6'

Notes & Details

Enjoy the outdoors under the pleasant shade of this Lancaster Table & Seating 6' black and white stripe push lift aluminum umbrella! This umbrella's 6' span is perfect for shading a table from the sun. Expand your outdoor seating with ease and ensure your guests are comfortable and protected thanks to its reliable design. Its easy-to-use push lift mechanism makes it easy to open during the day, close after hours or during inclement weather, and store in the off-season!

A single vent in this breathable canopy allows air flow to increase stability. The fabric is fade-resistant and has UV50+ sun protection to last for 3-4 years. It's made of water-resistant 260 GSM, solution-dyed acrylic fabric. This umbrella also repels dirt and is easy to clean. Plus, its black and white stripe design is sure to add a classic look to any space, making it perfect for parties, picnics, or other catering events. The included hook and loop strap keeps the umbrella closed for easy storage.

This umbrella's silver powder-coated aluminum frame is built to withstand consistent use in your establishment. Since it's easy to maneuver, you can conveniently relocate it to anywhere you need shade, making it a versatile choice for a variety of outdoor layouts. Its 1 1/2" pole diameter makes it compatible with select umbrella bases (sold separately), and you can prolong the life of your canopy with a compatible umbrella cover (sold separately). Reach for this Lancaster Table & Seating umbrella to enhance your outdoor space and keep guests happy and comfortable.

⚠ WARNING: This product can expose you to chemicals including lead, which are known to the State of California to cause cancer, birth defects, or other reproductive harm. For more information, go to www.p65warnings.ca.gov.