



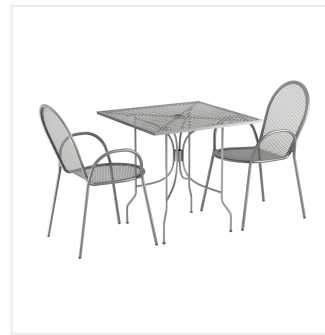
Lancaster Table & Seating Harbor Gray 30" Square Outdoor Standard Height Table with OrnaTe Legs and 2 Arm Chairs

#427SO3030G2A

Item #: 427SO3030G2A Qty: _____

Project: _____

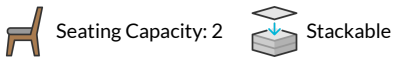
Approval: _____ Date: _____



Features

- Simple seating solution for patios and outdoor dining areas
- Durable, powder coated steel construction
- Mesh tabletop allows for easy cleaning
- Incorporated umbrella hole makes it easy to shade your customers from the sun
- Chairs can be stacked for easy, space-saving storage

Certifications



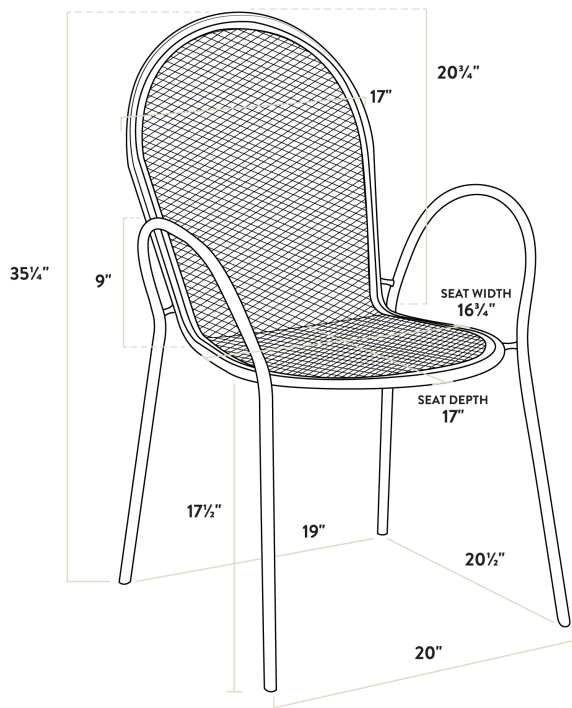
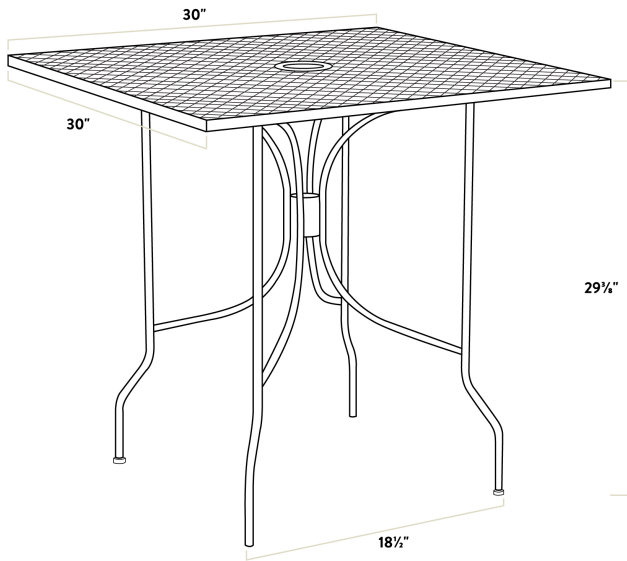
Technical Data

Length	30 Inches
Width	30 Inches
Height	30 Inches
Chair Width	17 Inches
Chair Depth	23 Inches
Chair Height	34 Inches
Height Style	Standard Height
Seat Height	17 1/2 Inches
Umbrella Hole Diameter	2 Inches
Arms	With Arms

Technical Data

Assembled	Assembly Required
Back	With Back
Chair Weight Capacity	300 lb.
Color	Gray
Features	Stackable Umbrella Hole
Finish	Powder-Coated
Frame Color	Gray
Frame Material	Steel
Included Chairs	2 Chairs
Installation Type	Freestanding
Padded Seat	Without Padded Seat
Seat Color	Gray
Seat Material	Steel
Seat Type	Mesh
Shape	Square
Style	Arm Chair
Table Seating Capacity	2 Chairs
Tabletop Material	Mesh
Type	Table / Chair Sets
Usage	Outdoor

Plan View



Notes & Details

Add functionality and pizzazz to your patio or other outdoor seating area with the Lancaster Table & Seating Harbor gray 30" square outdoor standard height table with ornate legs and 2 arm chairs! This set includes a table and two arm chairs. Each piece is constructed of durable stainless steel and features a gray powder-coated finish that makes it resistant to inclement weather conditions, so you can keep this set outdoors year-round without worry. The mesh design of the entire set allows liquid to slip through without making a mess, providing useful protection against spills and rain.

The stylish leg design of the table allows it to stand proudly in your establishment while adding an ornate touch to your outdoor dining area. The tabletop features a 2" umbrella hole, so you can attach an umbrella (sold separately) to enhance your venue's style and keep your guests comfortable on sunny days. Designed specifically for outdoor use, this table makes an excellent addition to restaurants, bar patios, and other outdoor entertainment areas such as banquets and luaus. Plus, the lightweight design allows you to easily move the table and chairs wherever they're needed most! To save you money on shipping costs, the table ships unassembled. This table is not stackable.

The included gray arm chairs pair perfectly with the table. The full back of each chair provides superior comfort, while the integrated, ergonomic armrests provide stability and make it easy for guests to slide the chair in and out at their table. The arm chair's simplistic style and rounded shape add a distinct visual appeal to your establishment. Boasting an ample 300 lb. weight capacity each, these strong, stylish chairs provide guests with a way to comfortably enjoy your signature drinks, appetizers, entrees, and desserts! The plastic glides protect floors from scuff marks and slide smoothly, helping to keep loud, unwanted noise to a minimum. With the stackable chair design, you can stack up to 6 chairs for easy, space-saving storage. To save you time and hassle, these chairs ship fully assembled!

⚠ WARNING: This product can expose you to chemicals including lead, which are known to the State of California to cause cancer, birth defects, or other reproductive harm. For more information, go to www.p65warnings.ca.gov.