



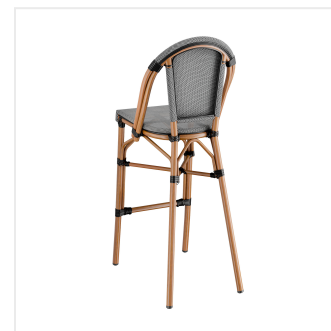
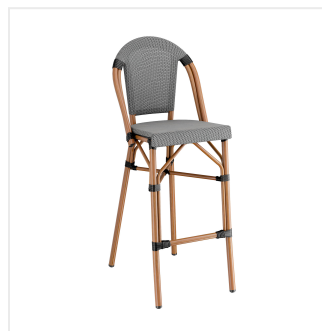
Lancaster Table & Seating Bistro Black and White Teslin Outdoor Side Barstool

#427BSFRBSBKW

Item #: 427BSFRBSBKW Qty: _____

Project: _____

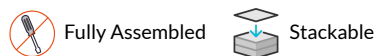
Approval: _____ Date: _____



Features

- Built-in footrest for exceptional comfort
- Unique, powder-coated bamboo frame finish
- Sturdy, light weight aluminum construction
- Modern black and white, UV-resistant Teslin net woven fabric
- Ample 330 lb. weight capacity

Certifications



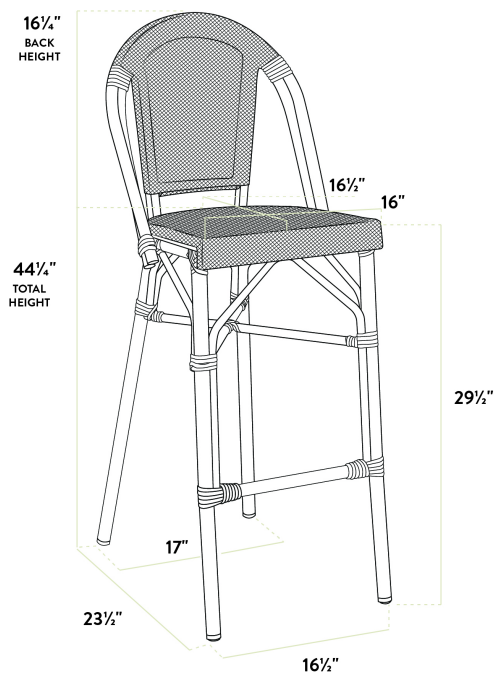
Technical Data

Width	17 Inches
Depth	23 1/2 Inches
Height	44 1/4 Inches
Seat Width	16 Inches
Seat Depth	16 1/2 Inches
Back Height	16 1/4 Inches
Height Style	Bar Height
Seat Height	29 1/2 Inches
Arms	Without Arms
Assembly Options	Fully Assembled

Technical Data

Back	With Back
Back Color	Black White
Capacity	330 lb.
Features	Footrest Stackable UV Fade-Resistant
Finish	Bamboo Powder-Coated
Frame Color	Beige Brown
Frame Material	Aluminum Metal
Padded Seat	Without Padded Seat
Product Line	Lancaster Table & Seating Bistro
Seat Color	Black White
Seat Material	Plastic Teslin Net
Seat Type	Woven
Style	Bistro
Type	Stools
Usage	Indoor Outdoor

Plan View



Notes & Details

Allow your guests to dine outdoors in style and comfort with this Lancaster Table & Seating Bistro outdoor side barstool! Designed for outdoor use, this barstool makes an excellent addition to restaurant and bar patios, sidewalk seating, and even outdoor entertainment areas at banquets and luaus. Its unique, bamboo-like finish instantly adds visual appeal to your establishment and will catch the eyes of both customers and passersby. To save time and hassle, this barstool ships fully assembled.

This barstool is made of a powder-coated aluminum that is durable enough to resist weather and corrosion while still being light weight for easy maneuvering. Its smooth surface features the look of bamboo, and the modern black and white, UV-resistant Teslin net woven fabric is sure to enhance your decor and help keep this outdoor barstool looking new. Teslin is a synthetic material made from a blend of PVC and polyester fibers woven together to make a mesh-like fabric that is highly durable and affordable.

This barstool boasts a 330 lb. weight capacity, and the frame is reinforced with additional under-seat cross bracing to provide strength and stability without adding extra bulk or weight to this sleek design. To ensure that your customers are free to enjoy your signature drinks, appetizers, entrees, and desserts, it features a supportive rounded back for exceptional comfort. Plus, its built-in footrest helps reduce pressure on your customers' legs and lower backs.

In addition to being stylish and durable, this light weight barstool is also easy to move and transport so you can quickly reconfigure your dining space and easily clean up at the end of the night. It can be used indoors during the off-season then transferred outdoors as the weather gets nicer! Your guests will appreciate the opportunity to enjoy the temperate weather with the convenience and comfort of this outdoor barstool and its breathable fabric! Plus, this low-maintenance material dries quickly and is easy to clean.

This barstool can be stacked with up to four other Lancaster Table & Seating Bistro side barstools to maximize storage space! This stackable design makes it ideal for businesses with minimal storage space, while the legs are capped with floor glides to help protect your floors from scuffs and scratches. This added level of protection is great for indoor use should you decide to use this barstool within your establishment. The protective glides also help keep the barstool in place, preventing unwanted movement during use!

⚠ WARNING: This product can expose you to chemicals including lead, which are known to the State of California to cause cancer and birth defects or other reproductive harm. For more information, go to www.p65warnings.ca.gov.