



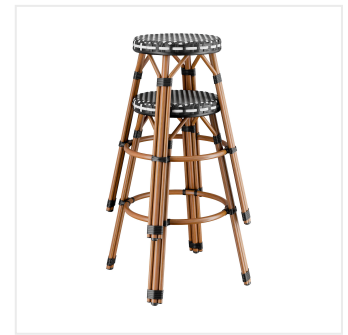
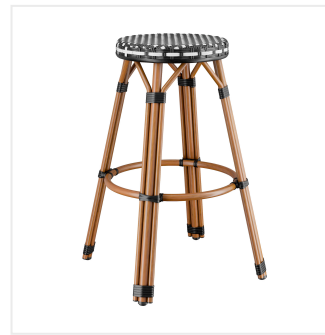
## Lancaster Table & Seating Bistro Series Black and White Checkered Weave Rattan Outdoor Backless Barstool

#427BBRTBSBKW

Item #: 427BBRTBSBKW Qty: \_\_\_\_\_

Project: \_\_\_\_\_

Approval: \_\_\_\_\_ Date: \_\_\_\_\_



### Features

- Polyethylene rattan material adds style and durability
- Durable aluminum frame with unique, powder-coated bamboo finish
- UV-resistant seat helps prevent fading
- Checkered weave pattern in classic black and white
- Built-in footrest for exceptional comfort

### Certifications



Fully Assembled



Stackable

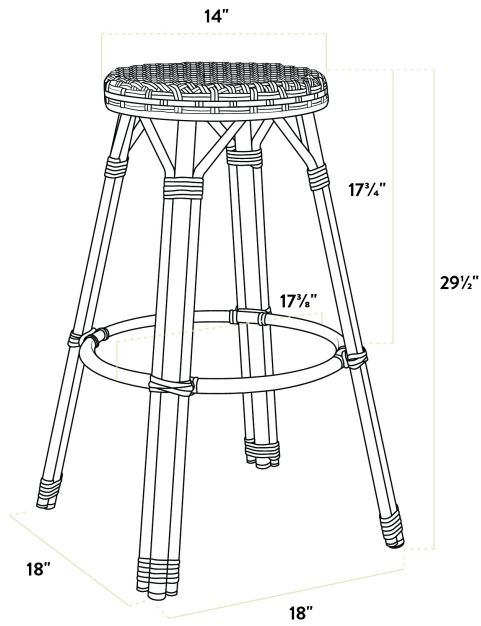
### Technical Data

Width	18 Inches
Depth	18 Inches
Height	29 1/2 Inches
Height Style	Bar Height
Seat Height	29 1/2 Inches
Seat Diameter	14 Inches
Arms	Without Arms
Assembled	Fully Assembled
Back	Without Back
Capacity	330 lb.

## Technical Data

Features	Footrest Stackable UV Fade-Resistant
Finish	Bamboo Powder-Coated
Frame Color	Brown
Frame Material	Aluminum Metal
Padded Seat	Without Padded Seat
Product Line	Lancaster Table & Seating Bistro Series
Seat Color	Black White
Seat Material	PE Rattan Plastic
Seat Type	Woven
Style	Backless
Type	Stools
Usage	Indoor Outdoor

## Plan View



# Notes & Details

---

Allow your guests to dine outdoors in style and comfort with this Lancaster Table & Seating Bistro Series outdoor backless barstool! At an ideal height for both bar and raised table seating, this barstool makes an excellent addition to your restaurant, cafe, hotel, or bistro. Its unique, bamboo-like finish and trendy checkered pattern instantly add visual appeal to your establishment and will catch the eyes of both customers and passersby. To save time and hassle, this barstool ships fully assembled.

This barstool is made of powder-coated aluminum that is durable enough to resist weather and corrosion while still being light weight for easy maneuvering. Its smooth surface features the look of bamboo, and the classic black and white, UV-resistant woven seat is sure to enhance your decor and help keep this outdoor barstool looking new. Made of polyethylene rattan material, the seat features premium-quality weaving for a stylish, handcrafted look. Plus, this low-maintenance material is easy to clean with a damp cloth and mild soap.

This barstool boasts a 330 lb. weight capacity and features supports under the seat to provide strength and stability without adding extra bulk or weight to this sleek design. To allow guests to comfortably socialize and fully enjoy your venue, it features a backless design for exceptional mobility. Plus, the built-in footrest helps reduce pressure on your customers' legs and lower backs.

In addition to being stylish and durable, this light weight barstool is also easy to move and transport so you can quickly reconfigure your dining space and easily clean up at the end of the night. It can be used indoors during the off-season then transferred outdoors as the weather gets nicer! Your guests will appreciate the opportunity to enjoy the temperate weather with the convenience and comfort of this outdoor barstool and its rattan seat!

This barstool can be stacked with up to four other Lancaster Table & Seating Bistro Series side barstools to maximize storage space! This stackable design makes it ideal for businesses with minimal storage space, while the legs are capped with floor glides to help protect your floors from scuffs and scratches. This added level of protection is great for indoor use should you decide to use this barstool within your establishment. The protective glides also help keep the barstool in place, preventing unwanted movement during use!

**⚠ WARNING:** This product can expose you to chemicals including lead, which are known to the State of California to cause cancer, birth defects, or other reproductive harm. For more information, go to [www.p65warnings.ca.gov](http://www.p65warnings.ca.gov).